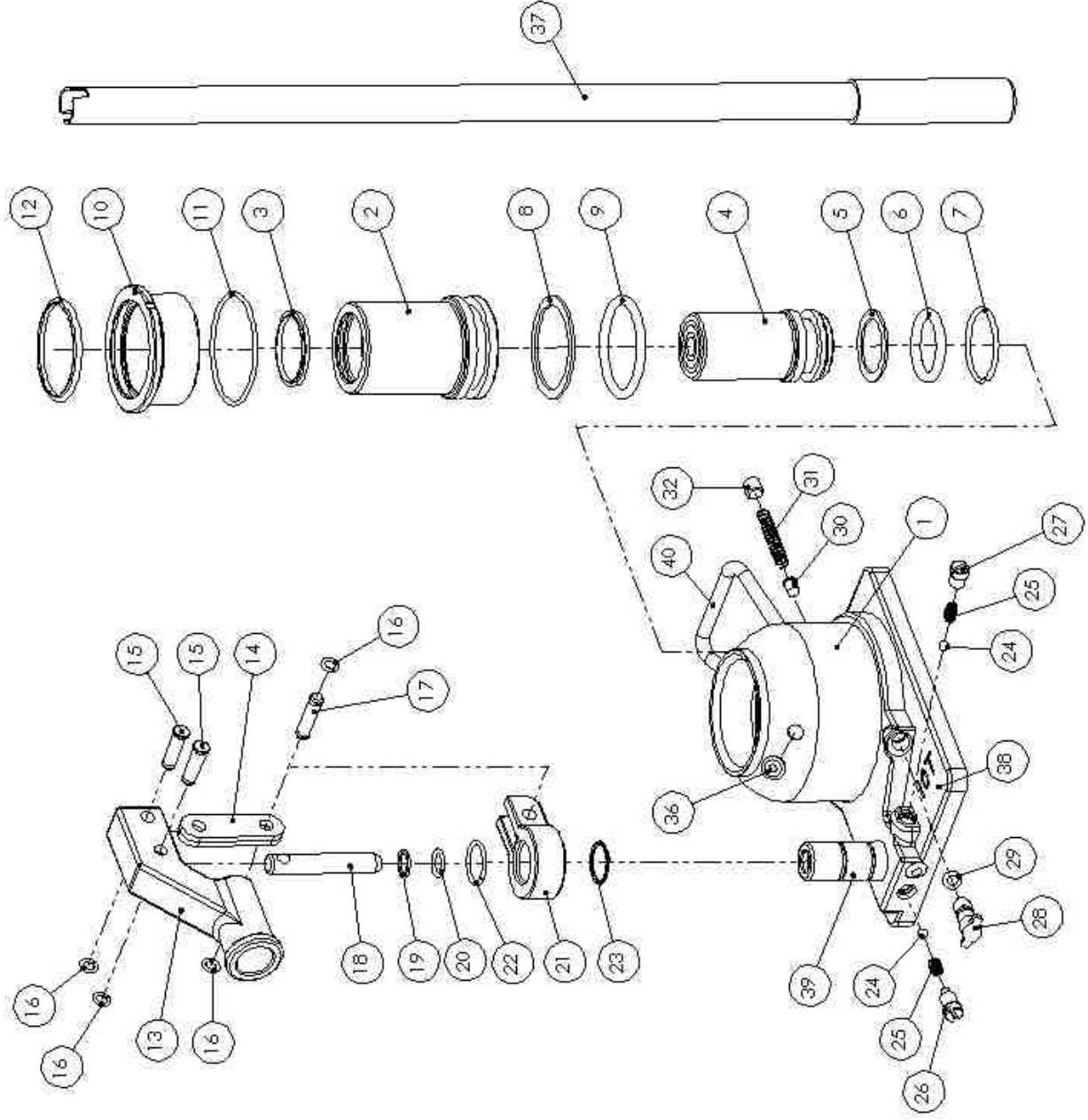


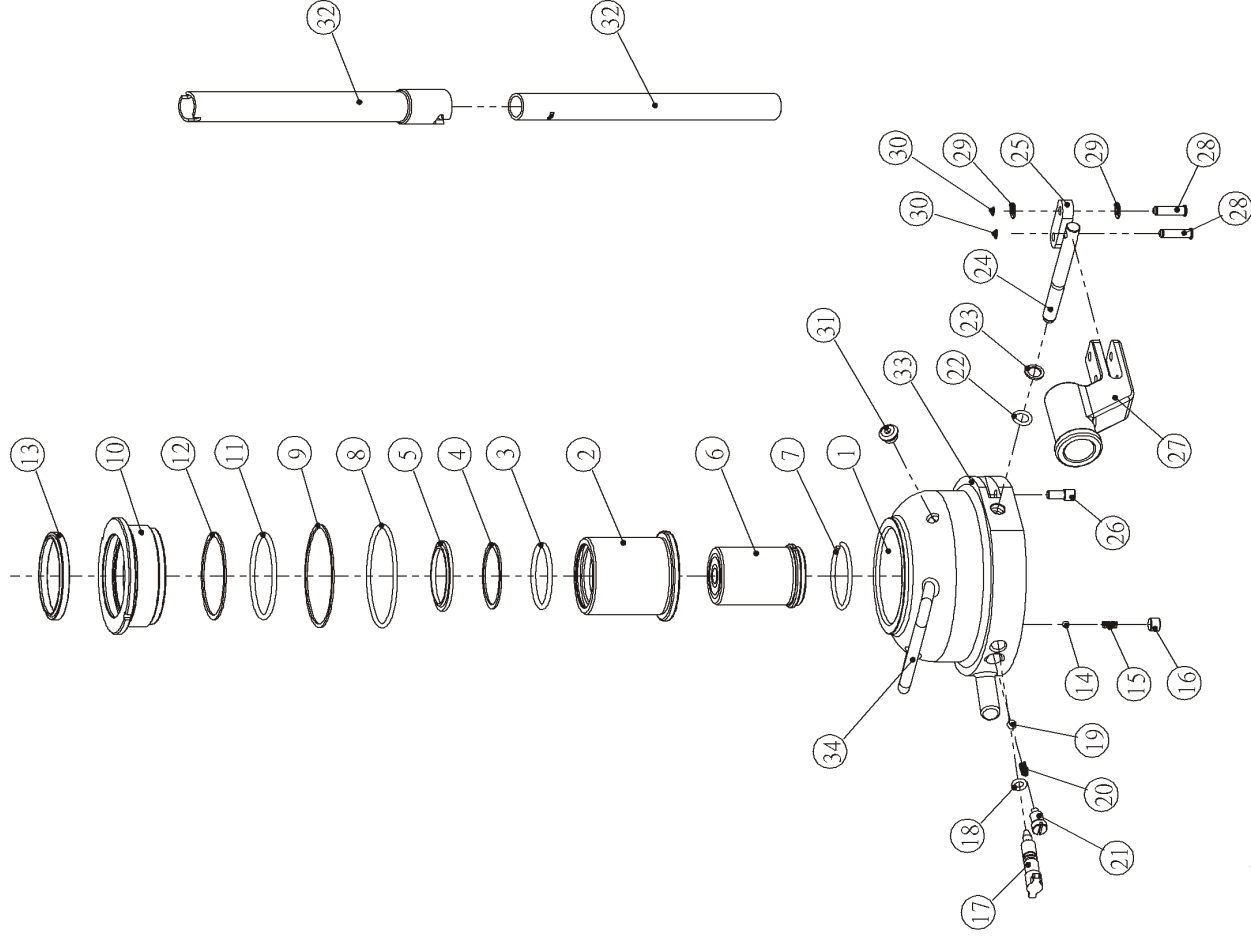
編號	零件名稱	數量	品號
1	本體殼組	1	DM-B-10S-2
2	外主軸	1	DM10S2-B04
3	O型環	1	XBP042
4	背托環	1	XGP042
5	防塵環	1	XDDS41.4
6	內主軸	1	DM10S2-B05
7	止動環	1	XA@3-q43.2
8	O型環	1	XBG070
9	背托環	1	XG70-75-1.65
10	上螺帽	1	DM10S2-B06
11	O型環	1	XBAS228
12	背托環	1	XGAS228-特
13	防塵環	1	XDDS1056
14	鋼珠	1	XM3/16
15	彈簧	1	XF0.2-D4.6-13L-12T
16	塞頭	1	XNPT1/8
17	洩壓閥螺柱	1	SH1070-B22
18	O型環	1	XB2.38-5.94
19	鋼珠	1	XM1/4
20	彈簧	1	XF0.3-D5.3-D7-D5.3-11L
21	螺柱	1	ST20-B25
22	O型環	1	XP010A
23	背托環	1	XGP010A
24	油泵軸	1	DM10S2-B07
25	活動片	1	DM10S2-B09
26	搖柄座插銷	1	DM10S2-B11
27	搖柄座	1	DM10S2-B08
28	插銷-長	2	DM10S2-B10
29	華司	2	XW16-6-1
30	止動環	2	XA@0.8-d4.8
31	加油塞子	1	Xc00
32	搖柄桿	1	DH2.5E-B17
33	底板	1	DM10S2-B01
34	提把	1	SU08-42-60A82

\* 修理包



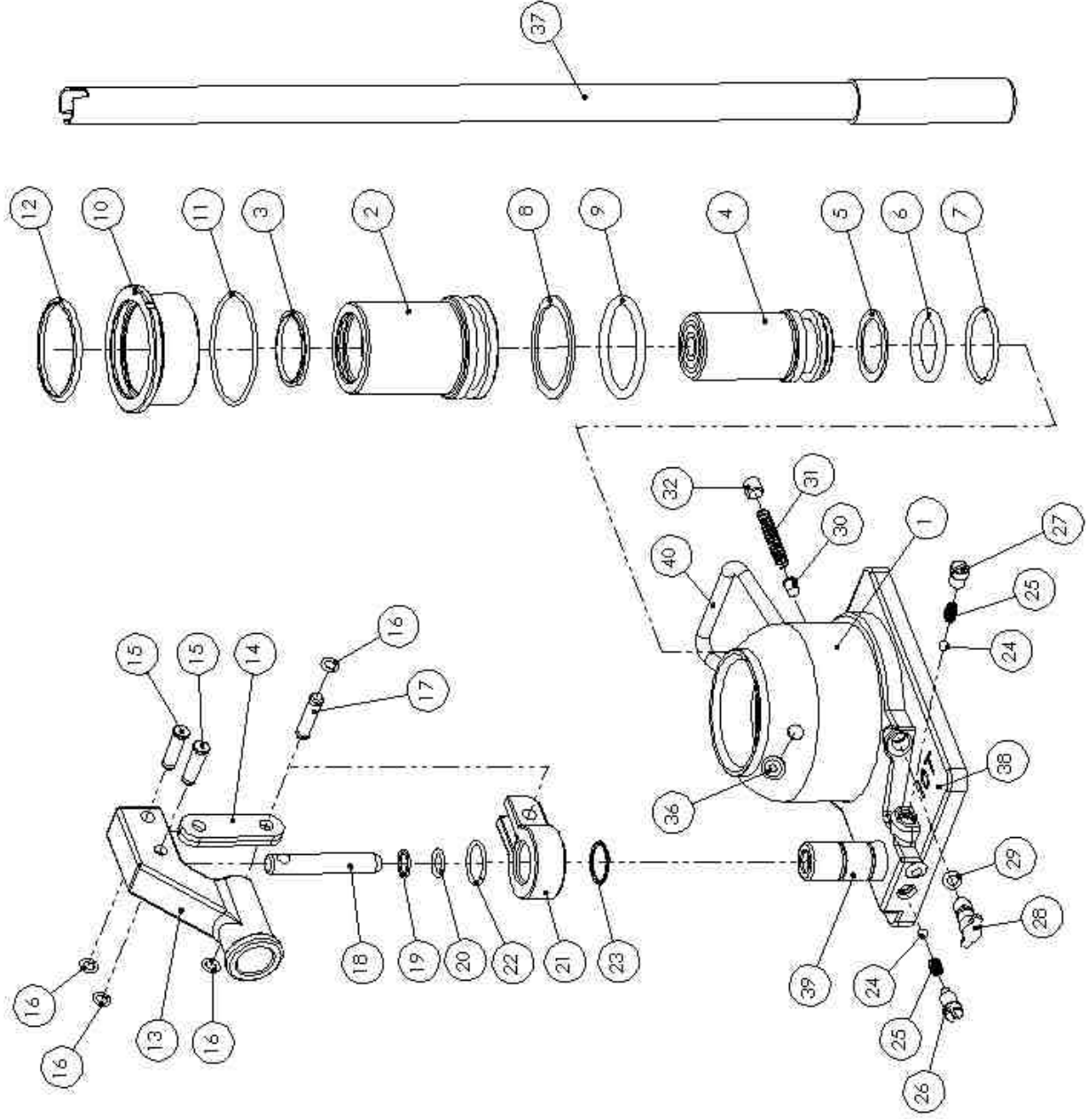
編號	零件名稱	數量	品號
1	本體殼組	1	DM-B-10S-2
2	外主軸	1	SH1070-B04
3	防塵環	1	XDDH039
*	內主軸	1	SH1070-B05
*	背托環	1	XG30-40-1.5
*	O型環	1	XBP032A
7	止動環	1	XA@3-q39.2
*	背托環	1	XGP050A
9	O型環	1	XBP050A
10	上螺帽	1	SH1070-B06
*	O型環	1	XBAS143
*	防塵環	1	XDS55
12	O型環	1	SH1070-B39
13	搖柄座	1	SH1070-B40
14	搖柄片	2	SH1070-B11
15	插銷	2	XA@1.1-d7
16	插銷	4	DH5E-B12
17	插銷	1	DH5E-B08
18	油泵軸	1	XGP012
19	背托環	1	XBP012
20	O型環	1	DH5E-B15
21	塞回環	1	XA@2.5-d20-N
22	止動環	1	XAS23
23	C型扣環	1	XN1/4
24	彈簧	2	XE0.25-D5.3-D7-D5.3-9.5L-6T-SUS
25	鋼珠	2	ST20-B25B
26	入口螺柱	1	ST20-B24
27	出口螺柱	1	SH1070-B22
28	淺壓閥螺柱	1	XB2.4-6.3
29	O型環	1	XLOIL
30	濾油網	1	XE0.25-D5.3-D7-D5.3-9.5L-6T-SUS
31	彈簧	1	XN-1/8PT-7
32	塞頭	1	XC00
36	加油塞子	1	XJDM10
37	搖柄桿	1	SH1070-B01
38	底板	1	OO-11.8-2.49
39	油泵	1	SU08-74-35A75
40	提把	1	

\* 修理包



Item	Description	Qty	Part No.
1	body	1	DM-B-10S-2
2	first plunger	1	DM10S2-B04
3	O-ring	1	XBP042
4	back-up ring	1	XGP042
5	dust ring	1	XDDS41.4
6	second plunger	1	DM10S2-B05
7	stop ring	1	XA@3-d43.2
8	O-ring	1	XBG070
9	back-up ring	1	XG70-75-1.65
10	stop ring	1	DM10S2-B06
11	O-ring	1	XBAS228
12	back-up ring	1	XGAS228-特
13	dust ring	1	XDDSI056
14	steel ball	1	XM3/16
15	spring	1	XF0.2-D4.6-13L-12T
16	plug	1	XNPT1/8
17	release valve bolt	1	SH1070-B22
18	O-ring	1	XB2.38-5.94
19	steel ball	1	XM1/4
20	spring	1	XF0.3-D5.3-D7-D5.3-11L
21	bolt	1	ST20-B25
22	O-ring	1	XP010A
23	back-up ring	1	XGP010A
24	rod	1	DM10S2-B07
25	joint	1	DM10S2-B09
26	pin of cranking bar	1	DM10S2-B11
27	rocker joint	1	DM10S2-B08
28	pin-long	2	DM10S2-B10
29	washer	2	XW16-6-1
30	stop ring	2	XA@0.8-d4.8
31	oil plug	1	XC00
32	handle bar	1	DH2.5E-B17
33	base plate	1	DM10S2-B01
34	handle	1	SU08-42-60A82

Maked with \* are contained in Repair Kit.



Item	Description	Q'ty	Part No.
1	body	1	DM-B-10-2
2	first plunger	1	SH1070-B04
3	dust ring	1	XDDH039
4	second plunger	1	SH1070-B05
5	back-up ring	1	XG30-40-1.5
6	O-ring	1	XBP032A
7	stop ring	1	XA@3-d39.2
8	back-up ring	1	XGP050A
9	O-ring	1	XBP050A
10	stop ring	1	SH1070-B06
11	O-ring	1	XBAS143
12	dust ring	1	XDS55
13	rocker joint	1	SH1070-B39
14	joint	2	SH1070-B40
15	pin	2	SH1070-B11
16	ring	4	XA@1.1-d7
17	pin	1	DH5E-B12
18	rod	1	DH5E-B08
19	back-up ring	1	XGP012
20	O-ring	1	XBP012
21	universal ring	1	DH5E-B15
22	stop ring	1	XA@2.5-d20-N
23	C ring	1	XAS23
24	steel ball	2	XM1/4
25	spring	2	XF0.25-D5.3-D7-D5.3-9.5L-6T-SUS
26	inlet bolt	1	ST20-B25B
27	outlet bolt	1	ST20-B24
28	release valve bolt	1	SH1070-B22
29	O-ring	1	XB2.4-6.3
30	filter	1	XLOIL
31	spring	1	XF0.25-D5.3-D7-D5.3-9.5L-6T-SUS
32	bolt	1	XN-178PT-7
33	oil plug	1	XC00
34	handle bar	1	XJDM10
35	base plate	1	SH1070-B01
36	pump	1	O0-11.8-2-49
37	handle	1	SU08-74-35A75

Maked with \* are contained in Repair Kit.