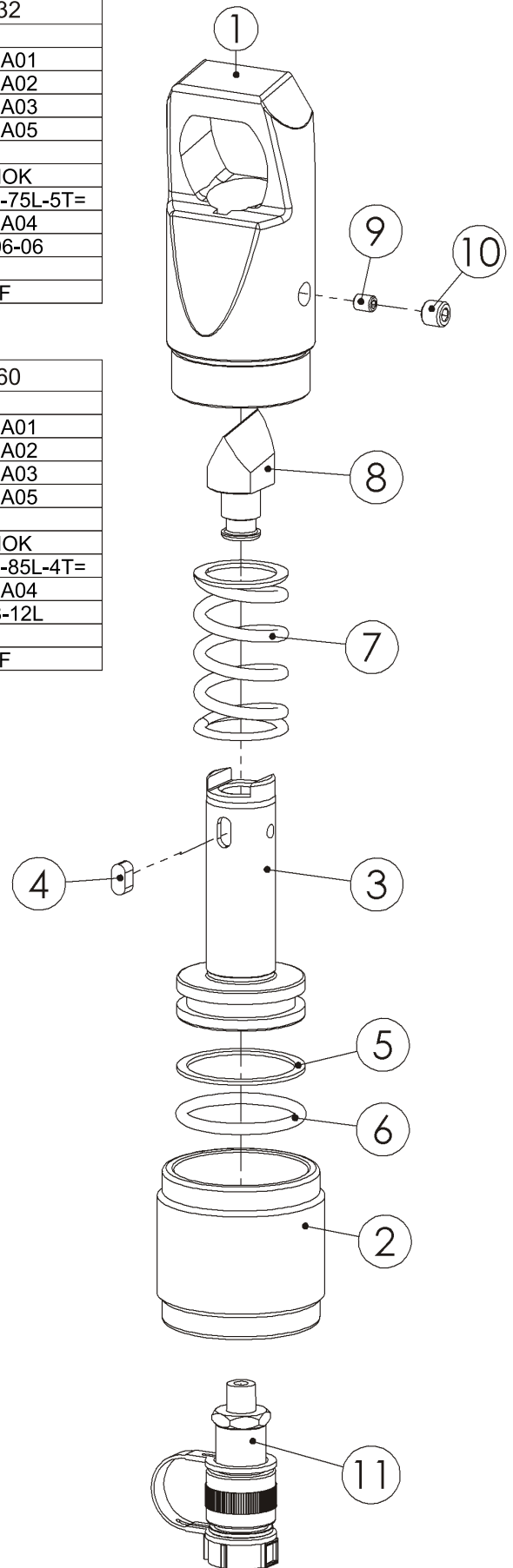
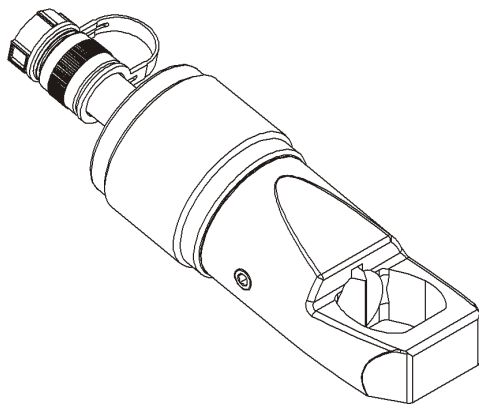


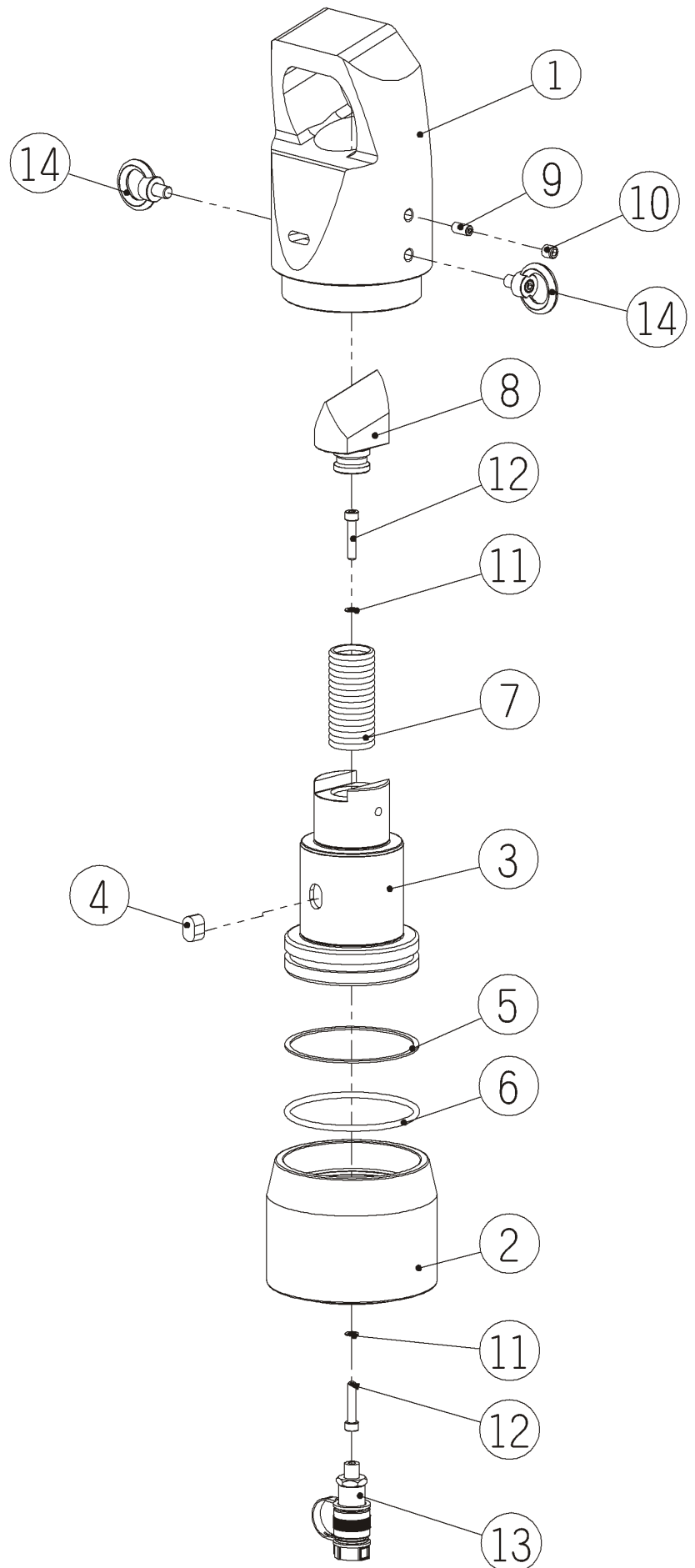
項次	品名	數量	NSC-1319	NSC-1924	NSC-2432
			品號	品號	品號
1	螺帽套	1	SNC1319-B02	SNC1924-A01	SNC2432-A01
2	油缸	1	SNC1319-B01	SNC1924-A02	SNC2432-A02
3	主軸	1	SNC1319-B03	SNC1924-A03-1	SNC2432-A03
4	方鍵	1	SNC1319-A05	SNC1924-A05	SNC2432-A05
* 5	背托環	1	XGP026	XGP036	XGP049
* 6	O形環	1	XBP026-90-NOK	XBP036-90-NOK	XBP049-NOK
7	回縮彈簧	1	XF2.5-d22.2-45L-5T=	XF5-d25.5-63L-5T=	XF5-d35.5-75L-5T=
8	刀片	1	SNC1319-B04	SNC1924-A04	SNC2432-A04
* 9	螺栓	1	XNSETM-5-5L	XNSETM6-6L	XNSETM06-06
* 10	塞頭	1	XN-1/8PT	XNSETM10-10L	XN-1/4PT
11	快速接頭	1	SQB-3/8UF	SQB-3/8UF	SQB-3/8UF

*修理包

項次	品名	數量	NSC-3241	NSC-4150	NSC-5060
			品號	品號	品號
1	螺帽套	1	SNC3241-A01	SNC4150-A01	SNC5060-A01
2	油缸	1	SNC3241-A02	SNC4150-A02	SNC5060-A02
3	主軸	1	SNC3241-A03	SNC4150-A03	SNC5060-A03
4	方鍵	1	SNC3241-A05	SNC4150-A05	SNC5060-A05
* 5	背托環	1	XGP055	XGP070	XGP085
* 6	O形環	1	XBP055-NOK	XBP070-NOK	XBP085-NOK
7	回縮彈簧	1	XF6-D48-82L-5T=	XF6-d50.5-95L-5T=	XF8-d60.5-85L-4T=
8	刀片	1	SNC3241-A04-1	SNC4150-A04	SNC5060-A04
* 9	螺栓	1	XNSETM8-10	XNSETM8-12L	XNSETM8-12L
* 10	塞頭	1	XNPT1/4	XN-1/4PT	XN-1/4PT
11	快速接頭	1	SQB-3/8UF	SQB-3/8UF	SQB-3/8UF

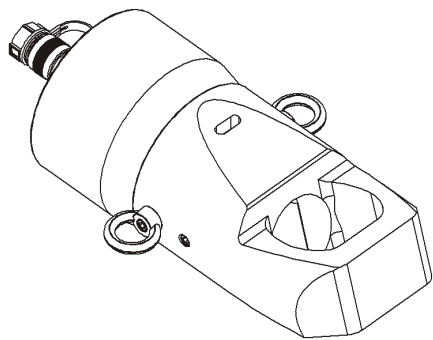
*修理包





NSC-6075			
項次	品名	數量	品號
1	螺帽套	1	SNC6075-A01
2	油缸	1	SNC6075-A02
3	主軸	1	SNC6075-A03
4	方鍵	1	SNC6075-A05
* 5	背托環	1	XGP120
* 6	O形環	1	XBP120NOK
7	彈簧組	1	XF6-d32.5A-115
8	刀片	1	SNC6075-A04
* 9	螺栓	1	XNSETM10-20L
* 10	螺栓	1	XNSETM12-12L
11	銅華司	2	XWC13-8-1
12	螺栓	2	XNCAPM8-40
13	快速接頭	1	SQB-3/8UF
14	吊環螺栓組	2	XORM12A-30

*修理包



Instructions for:
Hydraulic Nut Splitter

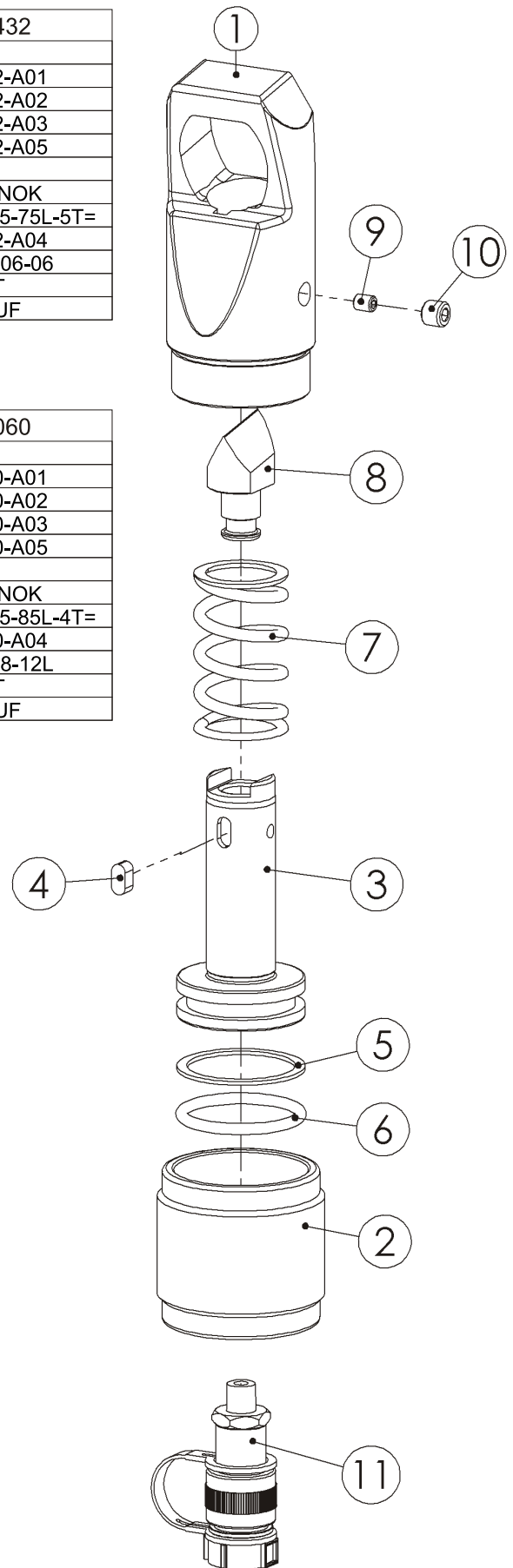
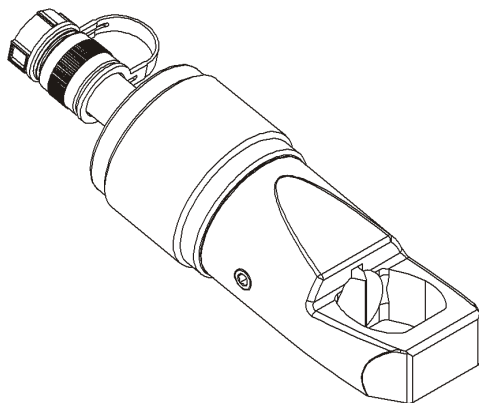
Models: NSC-series

			NSC-1319	NSC-1924	NSC-2432
Item	Description	Q'ty	Part No.	Part No.	Part No.
1	splitter body	1	SNC1319-B02	SNC1924-A01	SNC2432-A01
2	cylinder	1	SNC1319-B01	SNC1924-A02	SNC2432-A02
3	plunger	1	SNC1319-B03	SNC1924-A03-1	SNC2432-A03
4	Guide Block	1	SNC1319-A05	SNC1924-A05	SNC2432-A05
* 5	back-up ring	1	XGP026	XGP036	XGP049
* 6	O-ring	1	XBP026-90-NOK	XBP036-90-NOK	XBP049-NOK
7	Spring	1	XF2.5-d22.2-45L-5T=	XF5-d25.5-63L-5T=	XF5-d35.5-75L-5T=
8	blade	1	SNC1319-B04	SNC1924-A04	SNC2432-A04
* 9	screw	1	XNSETM5-5L	XNSETM6-6L	XNSETM6-6L
* 10	plug	1	XN-1/8PT	XNSETM10-10L	XN-1/4PT
11	coupler	1	SQB-3/8UF	SQB-3/8UF	SQB-3/8UF

* repair kit

			NSC-3241	NSC-4150	NSC-5060
Item	Description	Q'ty	Part No.	Part No.	Part No.
1	splitter body	1	SNC3241-A01	SNC4150-A01	SNC5060-A01
2	cylinder	1	SNC3241-A02	SNC4150-A02	SNC5060-A02
3	plunger	1	SNC3241-A03	SNC4150-A03	SNC5060-A03
4	Guide Block	1	SNC3241-A05	SNC4150-A05	SNC5060-A05
* 5	back-up ring	1	XGP055	XGP070	XGP085
* 6	O-ring	1	XBP055-NOK	XBP070-NOK	XBP085-NOK
7	Spring	1	XF6-D48-82L-5T=	XF6-d50.5-95L-5T=	XF8-d60.5-85L-4T=
8	blade	1	SNC3241-A04-1	SNC4150-A04	SNC5060-A04
* 9	screw	1	XNSETM8-10	XNSETM8-12L	XNSETM8-12L
* 10	plug	1	XNPT1/4	XN-1/4PT	XN-1/4PT
11	coupler	1	SQB-3/8UF	SQB-3/8UF	SQB-3/8UF

* repair kit



			NSC-6075
Item	Description	Q'ty	Part No.
1	splitter body	1	SNC6075-A01
2	cylinder	1	SNC6075-A02
3	plunger	1	SNC6075-A03
4	Guide Block	1	SNC6075-A05
* 5	back-up ring	1	XGP120
* 6	O-ring	1	XBP120NOK
7	Spring	1	XF6-d32.5A-115
8	blade	1	SNC6075-A04
* 9	screw	1	XNSETM10-20L
* 10	screw	1	XNSETM12-12L
11	cu washer	2	XWC13-8-1
12	bolt	2	XNCAPM8-40
13	coupler	1	SQB-3/8UF
14	Lifting eye bolt	2	XORM12A-30

* repair kit

