

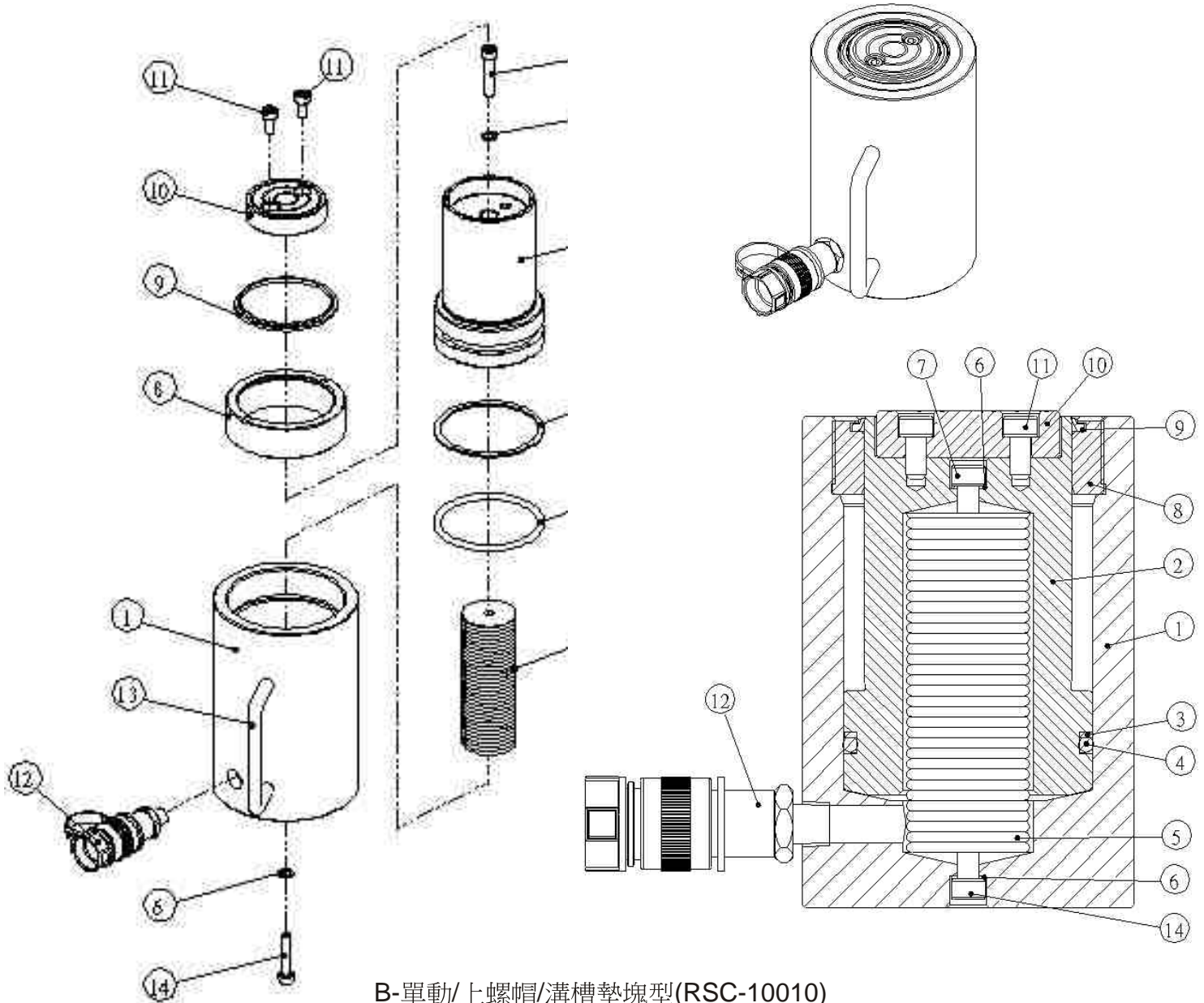
液(油)壓缸爆炸 / 剖析圖



| 爆炸圖型式 | 適用機型 |
|------------------------------------|--|
| A 單動/上螺帽/無墊塊型 | 1. S10 / 20 / 30 / 50 / 100 Series stroke lower than 50mm 2. RSCS10 / 20 / 30 / 50 / 100 Series |
| A1 單動/上螺帽/墊塊型 | RSCS-2503 |
| B 單動/上螺帽/ 溝槽墊塊型 | 1. S10 / 20 / 30 / 50 / 100 Series stroke higher than 75mm 2. S100 / 150 / 200 Series 3. RSC50 / 75 / 100 Series |
| C 單動/上螺帽/主軸內牙/ 溝槽(鋼珠)墊塊型 | 1. RSC5 / 10 / 15 / 25 Series,(except RSC-50) |
| D 單動/塞底/主軸內牙/ 溝槽(鋼珠)墊塊型 | 1. RSC 30 tons series |
| E 超薄RSSM型 | 1. RSC-50 2. RSSM 5/ 10/ 20/ 30/ 50/ 75/ 100/ 150 tons |
| F 鋁合金RSAC型 | 1. RSAC 20/ 30/ 50/ 100/ 150 tons |
| G 單動中空RSCH型 | 1. RSCH12 / RSCH306/ RSCH60 / 100 Series |
| G1 單動中空RSCH型 | 1. RSCH20 / RSCH30 Series |
| H 雙動中空RSRH型 | 1. RSRH 30/ RSRH-1001/ RSRH150 tons |
| H1 雙動中空RSRH型 | 1. RSRH-60/ RSRH-1003/ 1006/ 10010 |
| I 雙動/塞底/主軸內牙/ 安全閥-主軸/溝槽墊塊型 | 1.RSR30 Series |
| J 雙動/上螺帽/溝槽墊塊型 | 1.RSR1502/RSR2006 |
| K 雙動/上螺帽/主軸內牙/ 溝槽墊塊型 | 1.RSR100 Series 2.RSR1506 /15013 /20013 / 3006 / 4006 / 40012 / 5006 |
| K1 雙動/上螺帽/主軸內牙/ 安全閥-主軸/溝槽墊塊型 | 1.RSR50 / 75 Series |
| L 雙動/塞底/主軸內牙/ 溝槽墊塊型 | 1.RSR10 Series |
| M 雙動/塞底/主軸內牙/ 上螺帽/溝槽墊塊型 | 1.RSR15032 / RSR20018 / RSR20036 / RSR20048 / RSR30012/ RSR30018 / RSR30036 / RSR30048 / RSR40018 / RSR40024 / RSR40048 |
| M1 雙動/塞底/主軸內牙/ 上螺帽/溝槽墊塊型 | 1.RSR-20024 / 500 Series,(except RSR5006) |
| N 單動高噸位CSLS型 | 1.CSL50 / 100 / 150 / 200 / 250 / 300 / 400 / 500 / S600 / 800 / 1000 Series |
| O 雙動高噸位CSLRG型 | 1.CSLRG300 / 400 / 500 / 600 / 800 / 1000 / 1600 Series |
| O1 雙動高噸位CSLRG型 | 1.CSLRG50 / 100 / 150 / 200 / 250 Series |
| O2 雙動高噸位CSLRG型 | 1.CSLRG1000 / CSLRG1600 Series-標準傾斜墊塊 |
| P 單動高噸位CSLSG型 | 1.CSLSG50 / 100 / 150 / 200 / 250 / 300 / 400 / 500 / 800 / 1000 Series |
| Q 單動高噸位鎖帽CSLL型 | 1.CSLL50 / 100 / 150 / 200 / 250 / 300 / 400 / 500Series |
| R 單動扁平鎖帽CSLP型 | 1.CSLP602 / 1002 / 1602 / 2002 / 2502 / 4002 / 5002 Series |

爆炸圖型式：B
 單動 / 上螺帽 / 溝槽墊塊型

適用系列：S10 / 20 / 30 / 50 / S00 噸
 揚程75mm以上、
 S150 / 200 噸系列
 RSC 50 / 75 / 100 噸



B-單動/上螺帽/溝槽墊塊型(RSC-10010)

| 項次 | 品名 | 數量 | 品號 |
|--------|-------|----|----------------|
| 1 | 油壓缸 | 1 | SRC10010-B01 |
| 2 | 主軸 | 1 | SRC10010-B02 |
| * 3 | 背托環 | 1 | XGP120 |
| * 4 | O型環 | 1 | XBP120-90-NOK |
| 5 | 回縮彈簧組 | 1 | XF7-d41.8A-350 |
| * 6 | 華司 | 2 | XWC13-8-1T |
| * 7 | 螺栓 | 1 | XNCAPM08-55 |
| 8 | 上螺帽 | 1 | SRC1006-B03 |
| * 9 | 防塵環 | 1 | XDDS104.9 |
| 10 | 墊塊 | 1 | XKSRC-50 |
| * 11 | 螺栓 | 2 | XNCAPM08-20 |
| 12 | 快速接頭 | 1 | SQB-3/8UF |
| 13 | 提把 | 1 | XORM12A |
| * 13-1 | 運動提把 | -- | -- |
| 14 | 螺栓 | 1 | XNCAPM08-45 |

* 代表為修理包

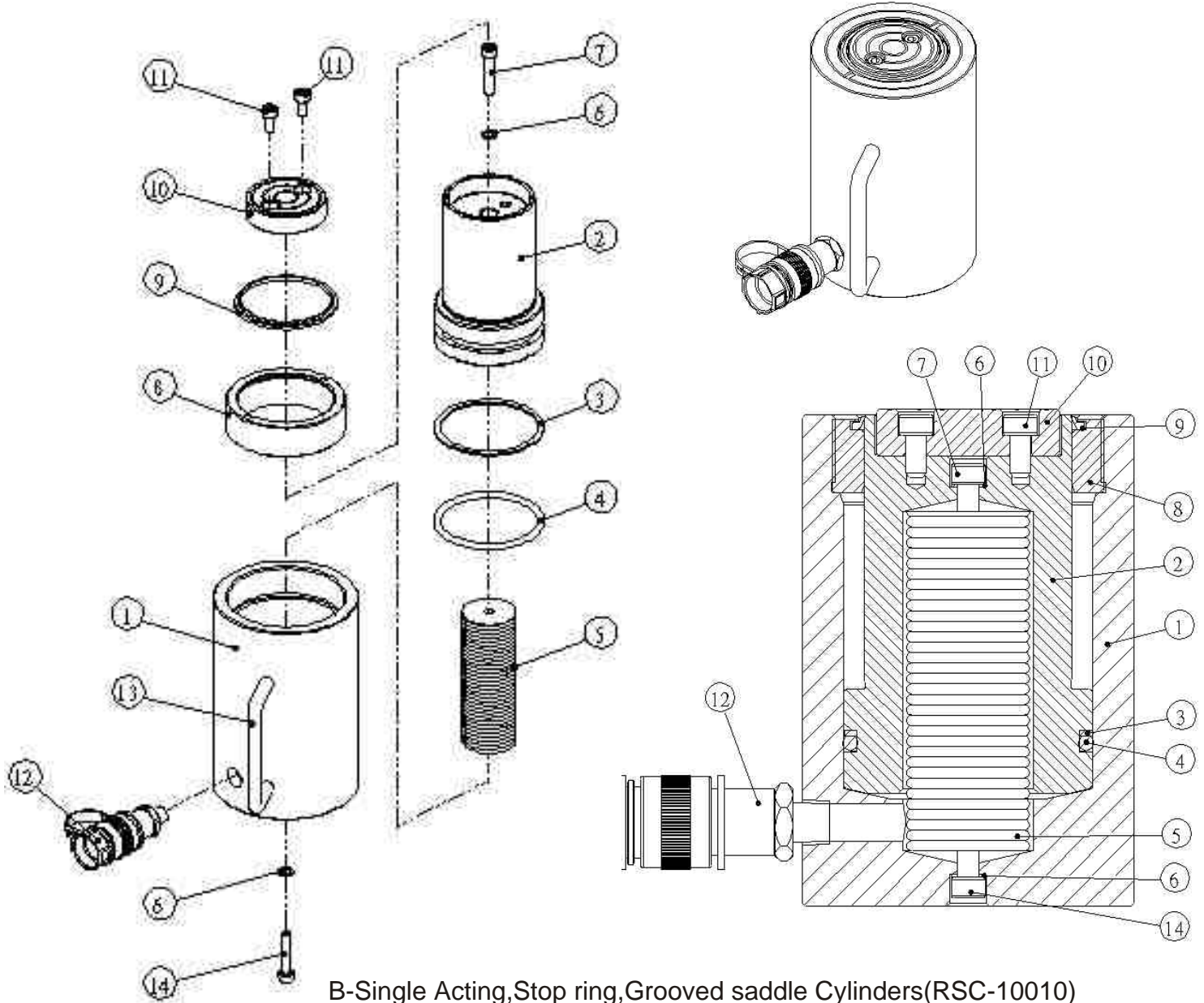
Hydraulic Cylinder Section / Part list Drawing



| Drawing Model | Cylinder |
|---|---|
| A single/ stop ring/ no saddle cylinder | 1. S10 / 20 / 30 / 50 / 100 Series stroke lower than 50mm 2. RSCS10 / 20 / 30 / 50 / 100 Series |
| A1 single/ stop ring/ saddle cylinder | RSCS-2503 |
| B single/ stop ring/ grooved saddle cylinder | 1. S10 / 20 / 30 / 50 / 100 Series stroke higher than 75mm 2. S100 / 150 / 200 Series 3. RSC50 / 75 / 100 Series |
| C single/ stop ring/ plunger threads grooved (snap-in) saddle cylinder | 1. RSC5 / 10 / 15 / 25 Series,(except RSC-50) |
| D single/ base/plunger threads grooved (snap-in) saddle cylinder | 1. RSC 30 tons series |
| E single,Low High, Flat cylinder | 1. RSC-50 2. RSSM 5/ 10/ 20/ 30/ 50/ 75/ 100/ 150 tons |
| F single, Aluminum cylinder | 1. RSAC 20/ 30/ 50/ 100/ 150 tons |
| G single, Hollow plunger cylinder | 1. RSCH12 / RSCH306/ RSCH60 / 100 Series |
| G1 single, Hollow plunger cylinder | 1. RSCH20 / RSCH30 Series |
| H double, Hollow plunger cylinder | 1. RSRH 30/ RSRH-1001/ 150 tons |
| H1 double, Hollow plunger cylinder | 1. RSRH-60/ RSRH-1003/ 1006/ 10010 |
| I Double-Acting,Base, Plunger threads,Safety Assembly- plunger,Grooved saddle Cylinders | 1.RSR30 Series |
| J Double-Acting,Stop ring, Grooved saddle Cylinders | 1.RSR1502/RSR2006 |
| K Double-Acting,Stop ring, Plunger threads, Grooved saddle Cylinders | 1.RSR100 Series 2.RSR1506 /15013 /20013 /3006 /4006 / 40012 / 5006 |
| K1 Double-Acting,Stop ring, Plunger threads, Grooved saddle Cylinders | 1.RSR50 /75 Series |
| L Double-Acting,Base, Plunger threads, Grooved saddle Cylinders | 1.RSR10 Series |
| M Double-Acting,Base,Plunger inner threads, Stop ring,Grooved saddle Cylinders | 1.RSR15032 / RSR20018 /RSR20036 / RSR20048/ RSR30012 /RSR30018 / RSR30036/ RSR30048 / RSR40018 / RSR40024 / RSR40048 |
| M1 Double-Acting,Base,Plunger inner threads, Stop ring,Grooved saddle Cylinders | 1. RSR-20024 / 500 Series,(except RSR5006) |
| N Single Acting,High Tonnage Cylinders | 1.CSL50 / 100 / 150 / 200 / 250 / 300 / 400 / 500 / S600 / 800 / 1000 Series |
| O Double-Acting,High Tonnage Cylinders | 1.CSLRG300 /400 /500 /600 /800 Series 2.CSLRG1000 / 1600 Series -with grooved saddle |
| O1 Double-Acting,High Tonnage Cylinders | 1.CSLRG50 / 100 / 150 / 200 / 250 Series |
| O2 Double-Acting,High Tonnage Cylinders | 1.CSLRG1000 / CSLRG1600 Series- equipped tilt saddle |
| P Single Acting,High Tonnage Cylinders | 1.CSLSG50 / 100 / 150 / 200 / 250 / 300 /400 / 500 / 800 / 1000 Series |
| Q Single Acting,High Tonnage,Lock Nut Cylinders | 1.CSLL50 / 100 / 150 / 200 / 250 / 300 /400 / 500Series |
| R Single Acting, Pancake Lock Nut Cylinders | 1.CSLP602 / 1002 / 1602 / 2002 / 2502 / 4002 / 5002 Series |

Drawing : B
 single / stop ring / grooved saddle
 cylinder

Cylinder : S 10/ 20/ 30/ 50/ 100 tons
 stroke lower than 75 mm
 S150 / 200 tons
 RSC 50 / 75 / 100 tons



B-Single Acting, Stop ring, Grooved saddle Cylinders (RSC-10010)

| Item | Description | Q'ty | Part Number | |
|------|-------------|-------------------------|--------------|----------------|
| 1 | cylinder | 1 | SRC10010-B01 | |
| 2 | plunger | 1 | SRC10010-B02 | |
| * | 3 | back-up ring | 1 | XGP120 |
| * | 4 | o-ring | 1 | XBP120-90-NOK |
| | 5 | spring component | 1 | XF7-d41.8A-350 |
| * | 6 | cu washer | 2 | XWC13-8-1T |
| * | 7 | bolt | 1 | XNCAPM08-55 |
| | 8 | stop ring | 1 | SRC1006-B03 |
| * | 9 | wipers | 1 | XDDS104.9 |
| | 10 | saddle | 1 | XKSRC-50 |
| * | 11 | bolt | 2 | XNCAPM08-20 |
| | 12 | fast coupler | 1 | SQB-3/8UF |
| | 13 | haddle | 1 | XORM12A |
| * | 13-1 | removable strap handles | -- | -- |
| | 14 | bolt | 1 | XNCAPM08-45 |

* Repair Kit.



Chu Lun sing Co., Ltd.