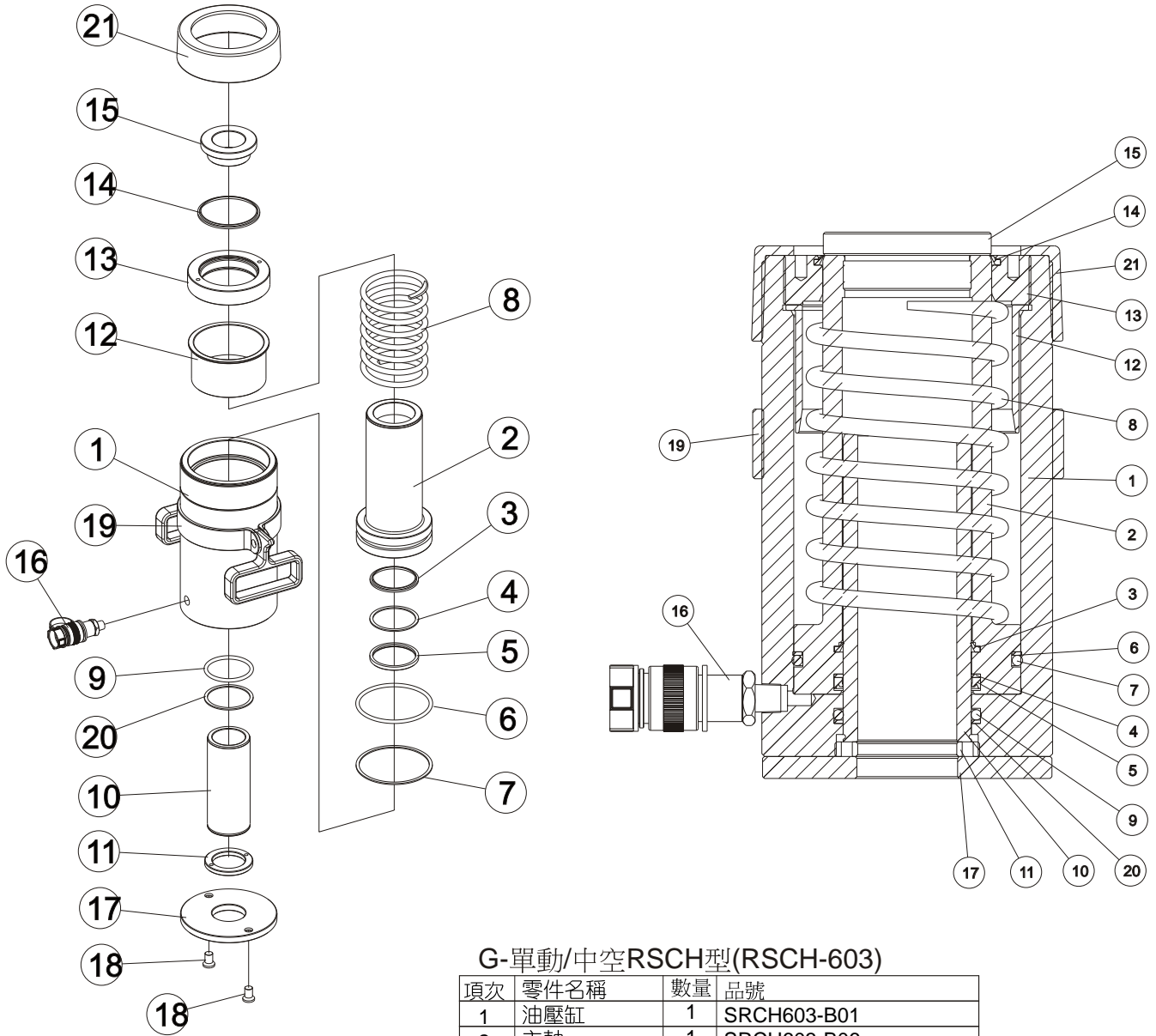


液(油)壓缸爆炸 / 剖析圖



爆炸圖型式	適用機型
A 單動/上螺帽/無墊塊型	1. S10 / 20 / 30 / 50 / 100 Series stroke lower than 50mm 2. RSCS10 / 20 / 30 / 50 / 100 Series
A1 單動/上螺帽/墊塊型	RSCS-2503
B 單動/上螺帽/ 溝槽墊塊型	1. S10 / 20 / 30 / 50 / 100 Series stroke higher than 75mm 2. S100 / 150 / 200 Series 3. RSC50 / 75 / 100 Series
C 單動/上螺帽/主軸內牙/ 溝槽(鋼珠)墊塊型	1. RSC5 / 10 / 15 / 25 Series,(except RSC-50)
D 單動/塞底/主軸內牙/ 溝槽(鋼珠)墊塊型	1. RSC 30 tons series
E 超薄RSSM型	1. RSC-50 2. RSSM 5/ 10/ 20/ 30/ 50/ 75/ 100/ 150 tons
F 鋁合金RSAC型	1. RSAC 20/ 30/ 50/ 100/ 150 tons
G 單動中空RSCH型	1. RSCH12 / RSCH306/ RSCH60 / 100 Series
G1 單動中空RSCH型	1. RSCH20 / RSCH30 Series
H 雙動中空RSRH型	1. RSRH 30/ RSRH-1001/ RSRH150 tons
H1 雙動中空RSRH型	1. RSRH-60/ RSRH-1003/ 1006/ 10010
I 雙動/塞底/主軸內牙/ 安全閥-主軸/溝槽墊塊型	1.RSR30 Series
J 雙動/上螺帽/溝槽墊塊型	1.RSR1502/RSR2006
K 雙動/上螺帽/主軸內牙/ 溝槽墊塊型	1.RSR100 Series 2.RSR1506 /15013 /20013 / 3006 / 4006 / 40012 / 5006
K1 雙動/上螺帽/主軸內牙/ 安全閥-主軸/溝槽墊塊型	1.RSR50 / 75 Series
L 雙動/塞底/主軸內牙/ 溝槽墊塊型	1.RSR10 Series
M 雙動/塞底/主軸內牙/ 上螺帽/溝槽墊塊型	1.RSR15032 / RSR20018 / RSR20036 / RSR20048 / RSR30012/ RSR30018 / RSR30036 / RSR30048 / RSR40018 / RSR40024 / RSR40048
M1 雙動/塞底/主軸內牙/ 上螺帽/溝槽墊塊型	1.RSR-20024 / 500 Series,(except RSR5006)
N 單動高噸位CSLS型	1.CSL50 / 100 / 150 / 200 / 250 / 300 / 400 / 500 / S600 / 800 / 1000 Series
O 雙動高噸位CSLRG型	1.CSLRG300 /400 /500 /600 /800 / 1000 / 1600 Series
O1 雙動高噸位CSLRG型	1.CSLRG50 / 100 / 150 / 200 / 250 Series
O2 雙動高噸位CSLRG型	1.CSLRG1000 / CSLRG1600 Series-標準傾斜墊塊
P 單動高噸位CSLSG型	1.CSLSG50 / 100 / 150 / 200 / 250 / 300 /400 / 500 / 800 / 1000 Series
Q 單動高噸位鎖帽CSLL型	1.CSLL50 / 100 / 150 / 200 / 250 / 300 /400 / 500Series
R 單動扁平鎖帽CSLP型	1.CSLP602 / 1002 / 1602 / 2002 / 2502 / 4002 / 5002 Series



G-單動/中空RSCH型(RSCH-603)

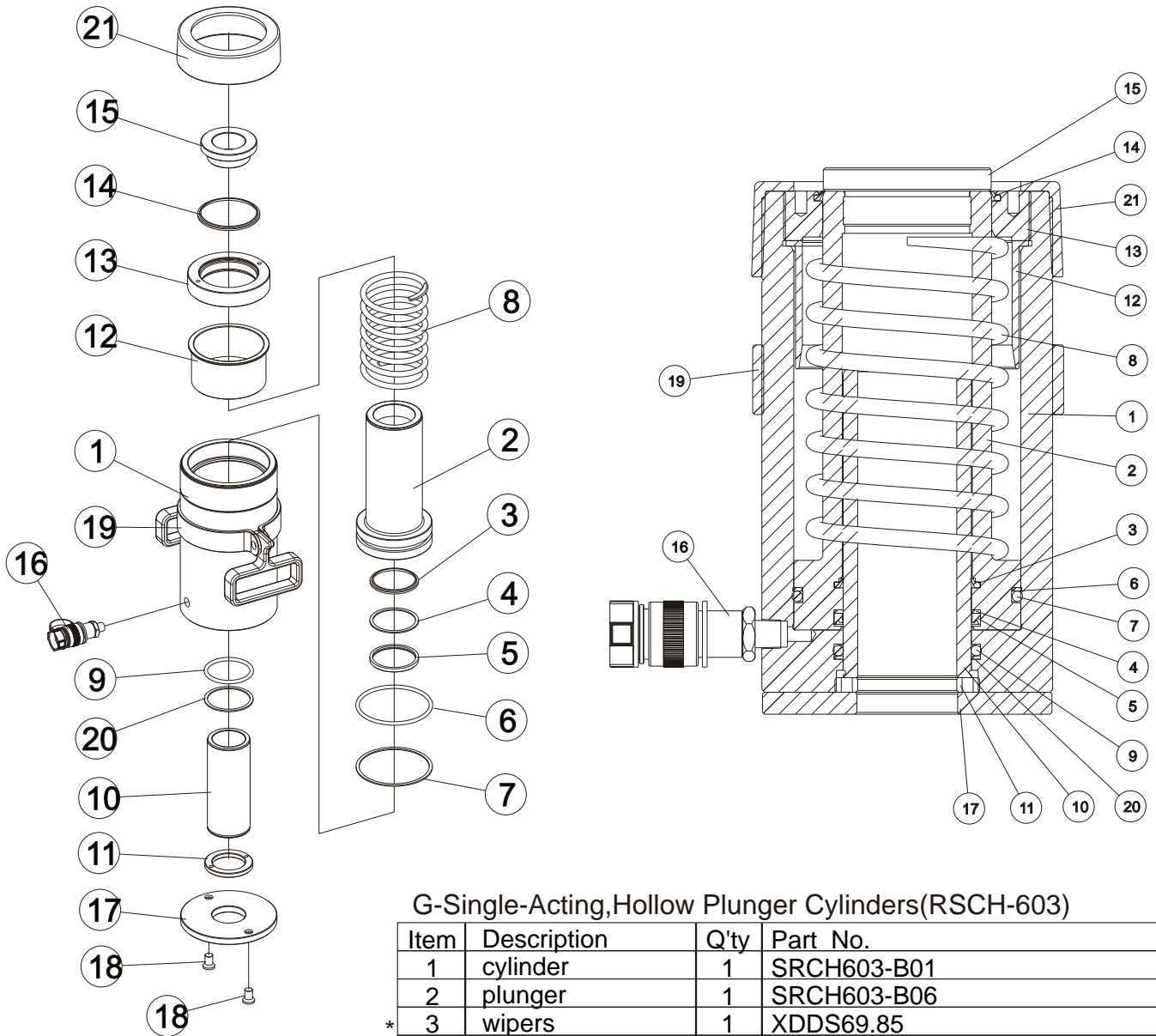
頂次	零件名稱	數量	品號
1	油壓缸	1	SRCH603-B01
2	主軸	1	SRCH603-B06
* 3	防塵環	1	XDDS69.85
* 4	背托環	1	XGP070
* 5	油封	1	XBP070-90-NOK
* 6	背托環	1	XGP112
* 7	O型環	1	XBP112-90-NOK
* 8	彈簧	1	XF9-d92.5-230L-6.5T=
* 9	O型環	1	XBP070-90-NOK
10	襯管	1	SRCH603-B04
11	塞底	1	SRCH602-B05
12	上襯管	1	SRCH603-B12
13	上螺帽	1	SRCH602-B13
* 14	防塵環	1	XDDS92.2
15	墊塊	1	XKSRCH-60
16	快速接頭	1	SQB-3/8UF
17	缸底墊塊	1	SRCH602-B07
* 18	螺栓	2	SRCH602-B08
19	提把	1	SUR-SRCH60
* 20	背托環	1	XGP070
* 21	螺牙保護套	1	XCSRCH-60

* 代表為修理包

Hydraulic Cylinder Section / Part list Drawing



Drawing Model	Cylinder
A S/A, stop ring/ no saddle cylinder	1. S10 / 20 / 30 / 50 / 100 Series stroke lower than 50mm 2. RSCS10 / 20 / 30 / 50 / 100 Series
A1 S/A, stop ring/ saddle cylinder	RSCS-2503
B S/A, stop ring/ grooved saddle cylinder	1. S10 / 20 / 30 / 50 / 100 Series stroke higher than 75mm 2. S100 / 150 / 200 Series 3. RSC50 / 75 / 100 Series
C S/A, stop ring/ plunger threads grooved (snap-in) saddle cylinder	1. RSC5 / 10 / 15 / 25 Series,(except RSC-50)
D S/A, base/plunger threads grooved (snap-in) saddle cylinder	1. RSC 30 tons series
E S/A, Low High, Flat cylinder	1. RSC-50 2. RSSM 5/ 10/ 20/ 30/ 50/ 75/ 100/ 150 tons
F S/A, Aluminum cylinder	1. RSAC 20/ 30/ 50/ 100/ 150 tons
G S/A, Hollow plunger cylinder	1. RSCH12 / RSCH306/ RSCH60 / 100 Series
G1 S/A, Hollow plunger cylinder	1. RSCH20 / RSCH30 Series
H D/A, Hollow plunger cylinder	1. RSRH 30 tons
H1 D/A, Hollow plunger cylinder	1. RSRH-60/ RSRH-100 / RSRH-150 tons
I D/A, Base, Plunger threads, Safety Assembly-plunger, Grooved saddle Cylinders	1.RSR30 Series
J D/A, Stop ring, Grooved saddle Cylinders	1.RSR1502/RSR2006
K D/A, Stop ring, Plunger threads, Grooved saddle Cylinders	1.RSR100 Series 2.RSR1506 /15013 /20013 /3006 /4006 / 40012 / 5006
K1 D/A, Stop ring, Plunger threads, Grooved saddle Cylinders	1.RSR50 / 75 Series
L D/A, Base, Plunger threads, Grooved saddle Cylinders	1.RSR10 Series
M D/A, Base,Plunger inner threads, Stop ring,Grooved saddle Cylinders	1.RSR15032 / RSR20018 /RSR20036 / RSR20048/ RSR30012 /RSR30018 / RSR30036/ RSR30048 / RSR40018 / RSR40024 / RSR40048
M1 D/A, Base,Plunger inner threads, Stop ring,Grooved saddle Cylinders	1. RSR-20024 / 500 Series,(except RSR5006)
N S/A, High Tonnage Cylinders	1.CSL50 / 100 / 150 / 200 / 250 / 300 / 400 / 500 / S600 / 800 / 1000 Series
O D/A, High Tonnage Cylinders	1.CSLRG300 /400 / 500 / 600 / 800 Series 2.CSLRG1000 / 1600 Series -with grooved saddle
O1 D/A, High Tonnage Cylinders	1.CSLRG50 / 100 / 150 / 200 / 250 Series
O2 D/A, High Tonnage Cylinders	1.CSLRG1000 / CSLRG1600 Series- equipped tilt saddle
P S/A, High Tonnage Cylinders	1.CSLSG50 / 100 / 150 / 200 / 250 / 300 /400 / 500 / 800 / 1000 Series
Q S/A, High Tonnage,Lock Nut Cylinders	1.CSLL50 / 100 / 150 / 200 / 250 / 300 /400 / 500Series
R S/A, Pancake Lock Nut Cylinders	1.CSLP602 / 1002 / 1602 / 2002 / 2502 / 4002 / 5002 Series
S D/A, Aluminum, cylinder	1.RSAR50 / 100 / 150 Series
T S/A, Aluminum, Hollow plunger cylinder	1.RSACH20 / 30 / 60 / 100 Series
U DA, Aluminum, Hollow plunger cylinder	1.RSARH30 / 50 / 100 / 150 Series



G-Single-Acting,Hollow Plunger Cylinders(RSCH-603)

Item	Description	Q'ty	Part No.
1	cylinder	1	SRCH603-B01
2	plunger	1	SRCH603-B06
* 3	wipers	1	XDDS69.85
* 4	back-up ring	1	XGP070
* 5	o-ring	1	XBP070-90-NOK
* 6	back-up ring	1	XGP112
* 7	o-ring	1	XBP112-90-NOK
8	spring	1	XF9-d92.5-230L-6.5T=
* 9	o-ring	1	XBP070-90-NOK
10	liner tube	1	SRCH603-B04
11	base	1	SRCH602-B05
12	up liner tube	1	SRCH603-B12
13	stop ring	1	SRCH602-B13
* 14	wipers	1	XDDS92.2
15	saddle	1	XKSRCH-60
16	fast coupler	1	SQB-3/8UF
17	bottom saddle	1	SRCH602-B07
* 18	bolt	2	SRCH602-B08
19	haddle	1	SUR-SRCH60
* 20	back-up ring	1	XGP070
21	thread cover	1	XCSRCH-60

* Repair Kit.