

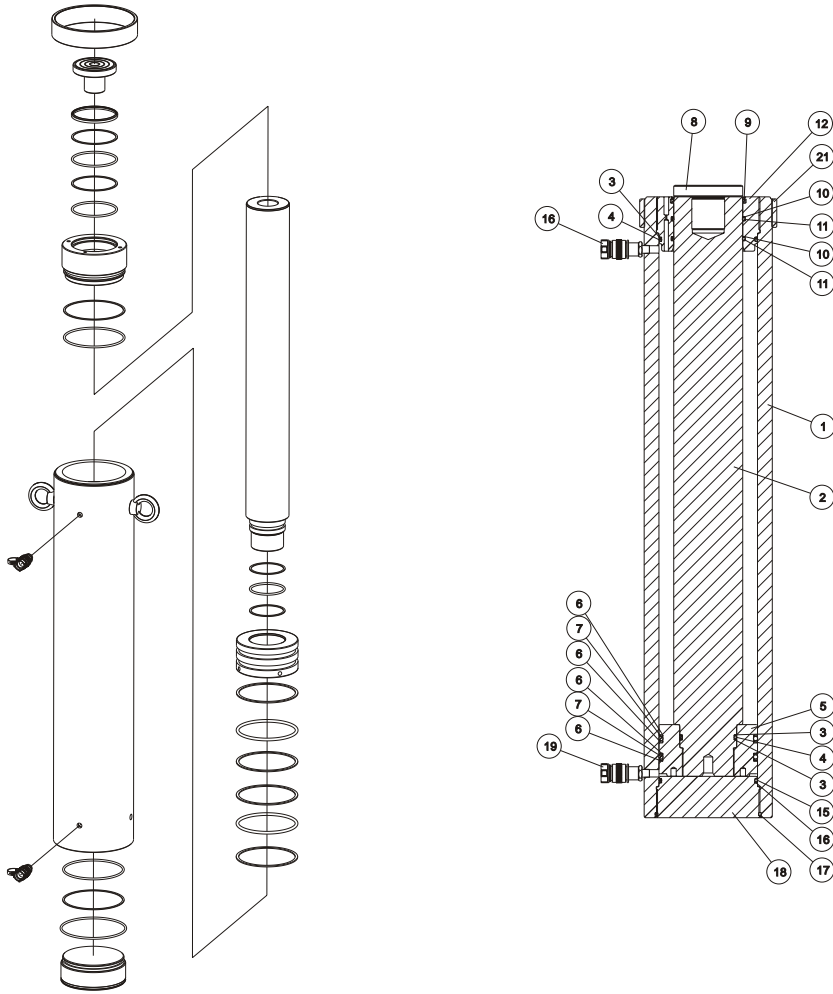
# 液(油)壓缸爆炸 / 剖析圖



| 爆炸圖型式                              | 適用機型   |
|------------------------------------|--|
| A<br>單動/上螺帽/無墊塊型                   | 1. S10 / 20 / 30 / 50 / 100 Series stroke lower than 50mm<br>2. RSCS10 / 20 / 30 / 50 / 100 Series                         |
| A1<br>單動/上螺帽/墊塊型                   | RSCS-2503  |
| B<br>單動/上螺帽/<br>溝槽墊塊型              | 1. S10 / 20 / 30 / 50 / 100 Series stroke higher than 75mm<br>2. S100 / 150 / 200 Series<br>3. RSC50 / 75 / 100 Series     |
| C<br>單動/上螺帽/主軸內牙/<br>溝槽(鋼珠)墊塊型     | 1. RSC5 / 10 / 15 / 25 Series,(except RSC-50)  |
| D<br>單動/塞底/主軸內牙/<br>溝槽(鋼珠)墊塊型      | 1. RSC 30 tons series  |
| E<br>超薄RSSM型                       | 1. RSC-50<br>2. RSSM 5/ 10/ 20/ 30/ 50/ 75/ 100/ 150 tons  |
| F<br>鋁合金RSAC型                      | 1. RSAC 20/ 30/ 50/ 100/ 150 tons  |
| G<br>單動中空RSCH型                     | 1. RSCH12 / RSCH306/ RSCH60 / 100 Series   |
| G1<br>單動中空RSCH型                    | 1. RSCH20 / RSCH30 Series  |
| H<br>雙動中空RSRH型                     | 1. RSRH 30 tons  |
| H1<br>雙動中空RSRH型                    | 1. RSRH-60/ RSRH-100/ RSRH-150 tons  |
| I<br>雙動/塞底/主軸內牙/<br>安全閥-主軸/溝槽墊塊型   | 1.RSR30 Series   |
| J<br>雙動/上螺帽/溝槽墊塊型                  | 1.RSR1502/RSR2006  |
| K<br>雙動/上螺帽/主軸內牙/<br>溝槽墊塊型         | 1.RSR100 Series<br>2.RSR1506 /15013 /20013 / 3006 / 4006 / 40012 / 5006  |
| K1<br>雙動/上螺帽/主軸內牙/<br>安全閥-主軸/溝槽墊塊型 | 1.RSR50 / 75 Series  |
| L<br>雙動/塞底/主軸內牙/<br>溝槽墊塊型          | 1.RSR10 Series   |
| M<br>雙動/塞底/主軸內牙/<br>上螺帽/溝槽墊塊型      | 1.RSR15032 / RSR20018 / RSR20036 / RSR20048 / RSR30012/ RSR30018 / RSR30036 /<br>RSR30048 / RSR40018 / RSR40024 / RSR40048 |
| M1<br>雙動/塞底/主軸內牙/<br>上螺帽/溝槽墊塊型     | 1.RSR-20024 / 500 Series,(except RSR5006)  |
| N<br>單動高噸位CSLS型                    | 1.CSL50 / 100 / 150 / 200 / 250 / 300 / 400 / 500 / S600 / 800 / 1000 Series   |
| O<br>雙動高噸位CSLRG型                   | 1.CSLRG300 /400 /500 /600 /800 / 1000 / 1600 Series  |
| O1<br>雙動高噸位CSLRG型                  | 1.CSLRG50 / 100 / 150 / 200 / 250 Series   |
| O2<br>雙動高噸位CSLRG型                  | 1.CSLRG1000 / CSLRG1600 Series-標準傾斜墊塊  |
| P<br>單動高噸位CSLSG型                   | 1.CSLSG50 / 100 / 150 / 200 / 250 / 300 /400 / 500 / 800 / 1000 Series   |
| Q<br>單動高噸位鎖帽CSLL型                  | 1.CSLL50 / 100 / 150 / 200 / 250 / 300 /400 / 500Series  |
| R<br>單動扁平鎖帽CSLP型                   | 1.CSLP602 / 1002 / 1602 / 2002 / 2502 / 4002 / 5002 Series   |

爆炸圖型式：M  
 雙動/塞底/主軸內牙/  
 上螺帽/溝槽墊塊型

適用系列：RSR15032 / RSR20036 / RSR20048 /  
 RSR30012 / RSR30018 / RSR30048 /  
 RAR40012 / RSR40018 / RSR40024 /  
 RSR40048



M-雙動/塞底/主軸內牙/上螺帽/溝槽墊塊型(RSR-20048)

| 項次   | 品名    | 數量 | 規格            |
|------|-------|----|---------------|
| 1    | 油壓缸   | 1  | SRR20048-B01  |
| 2    | 主軸    | 1  | SRR20048-B02  |
| * 3  | 背托環   | 2  | XGP125        |
| * 4  | O型環   | 1  | XBP125-90-NOK |
| 5    | 活塞    | 1  | SRR20048-B03  |
| * 6  | 背托環   | 4  | XGP175        |
| * 7  | O型環   | 2  | XBP175-90-NOK |
| 8    | 墊塊    | 1  | XKSRR-200     |
| * 9  | 防塵環   | 1  | XDDSI132      |
| * 10 | 背托環   | 2  | XGP135        |
| * 11 | O型環   | 2  | XBP135-90-NOK |
| 12   | 上螺帽   | 1  | SRR20036-B06  |
| * 13 | 背托環   | 1  | XGG180        |
| * 14 | O型環   | 1  | XBG180-NOK    |
| * 15 | O型環   | 1  | XBG180-90-NOK |
| * 16 | 背托環   | 1  | XGG180        |
| * 17 | O型環   | 1  | XBG195        |
| 18   | 塞底    | 1  | SRR20024-B05  |
| 19   | 快速接頭  | 2  | SQB-3/8UF     |
| 20   | 吊環螺栓組 | 2  | XORM20A       |
| 21   | 螺牙保護套 | 1  | SRR20036-B04  |

\* 代表為修理包

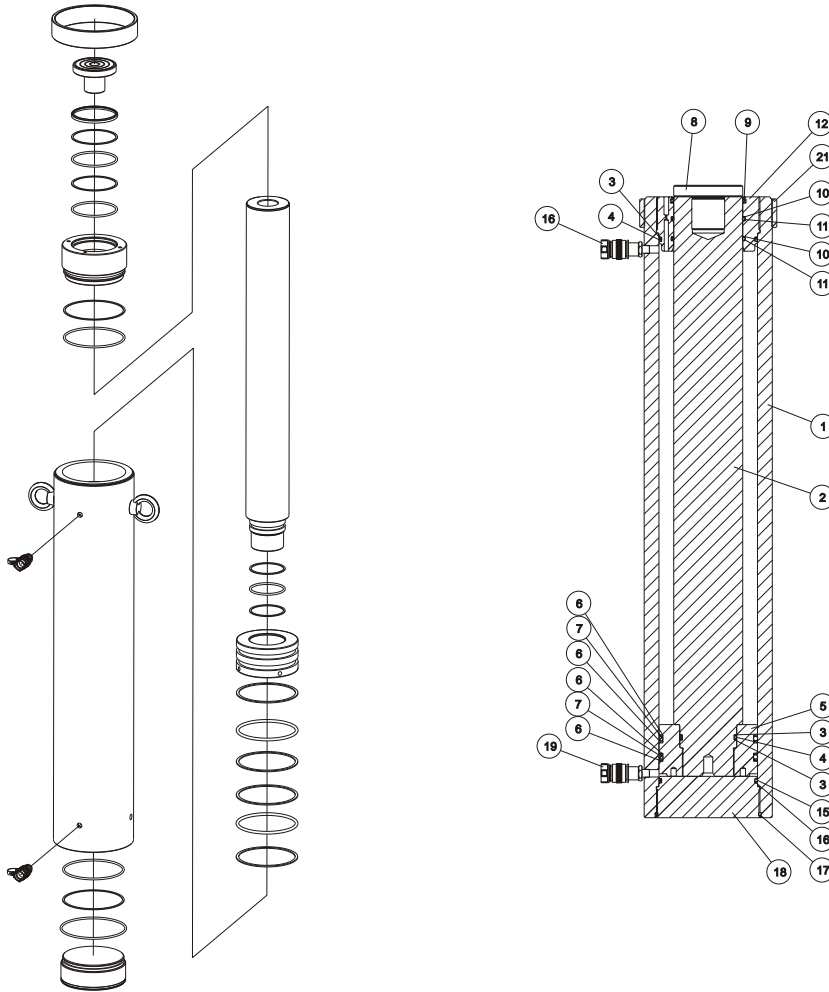
# Hydraulic Cylinder Section / Part list Drawing



| Drawing Model   | Cylinder  |
|---|---|
| A<br>single/ stop ring/ no saddle<br>cylinder   | 1. S10 / 20 / 30 / 50 / 100 Series stroke lower than 50mm<br>2. RSCS10 / 20 / 30 / 50 / 100 Series                      |
| A1<br>single/ stop ring/ saddle<br>cylinder   | RSCS-2503   |
| B<br>single/ stop ring/<br>grooved saddle cylinder  | 1. S10 / 20 / 30 / 50 / 100 Series stroke higher than 75mm<br>2. S100 / 150 / 200 Series<br>3. RSC50 / 75 / 100 Series  |
| C<br>single/ stop ring/ plunger threads<br>grooved (snap-in) saddle<br>cylinder                     | 1. RSC5 / 10 / 15 / 25 Series,(except RSC-50)   |
| D<br>single/ base/plunger threads<br>grooved (snap-in) saddle cylinder                              | 1. RSC 30 tons series   |
| E<br>single,Low High, Flat cylinder   | 1. RSC-50<br>2. RSSM 5/ 10/ 20/ 30/ 50/ 75/ 100/ 150 tons   |
| F<br>single, Aluminum cylinder  | 1. RSAC 20/ 30/ 50/ 100/ 150 tons   |
| G<br>single, Hollow plunger cylinder  | 1. RSCH12 / RSCH306/ RSCH60 / 100 Series  |
| G1<br>single, Hollow plunger cylinder   | 1. RSCH20 / RSCH30 Series   |
| H<br>double, Hollow plunger cylinder  | 1. RSRH 30 tons   |
| H1<br>double, Hollow plunger cylinder   | 1. RSRH-60/ RSRH-100 / RSRH-150 tons  |
| I<br>Double-Acting,Base,<br>Plunger threads,Safety Assembly-<br>plunger,Grooved saddle<br>Cylinders | 1.RSR30 Series  |
| J<br>Double-Acting,Stop ring,<br>Grooved saddle Cylinders   | 1.RSR1502/RSR2006   |
| K<br>Double-Acting,Stop ring,<br>Plunger threads, Grooved saddle<br>Cylinders                       | 1.RSR100 Series<br>2.RSR1506 /15013 /20013 /3006 /4006 / 40012 / 5006   |
| K1<br>Double-Acting,Stop ring,<br>Plunger threads, Grooved saddle<br>Cylinders                      | 1.RSR50 /75 Series  |
| L<br>Double-Acting,Base, Plunger threads,<br>Grooved saddle Cylinders                               | 1.RSR10 Series  |
| M<br>Double-Acting,Base,Plunger inner threads,<br>Stop ring,Grooved saddle Cylinders                | 1.RSR15032 / RSR20018 /RSR20036 / RSR20048/ RSR30012 /RSR30018 / RSR30036/<br>RSR30048 / RSR40018 / RSR40024 / RSR40048 |
| M1<br>Double-Acting,Base,Plunger inner threads,<br>Stop ring,Grooved saddle Cylinders               | 1. RSR-20024 / 500 Series,(except RSR5006)  |
| N<br>Single Acting,High Tonnage Cylinders   | 1.CSL50 / 100 / 150 / 200 / 250 / 300 / 400 / 500 / S600 / 800 / 1000 Series  |
| O<br>Double-Acting,High Tonnage Cylinders   | 1.CSLRG300 /400 /500 /600 /800 Series<br>2.CSLRG1000 / 1600 Series -with grooved saddle                                 |
| O1<br>Double-Acting,High Tonnage Cylinders  | 1.CSLRG50 / 100 / 150 / 200 / 250 Series  |
| O2<br>Double-Acting,High Tonnage Cylinders  | 1.CSLRG1000 / CSLRG1600 Series- equipped tilt saddle  |
| P<br>Single Acting,High Tonnage Cylinders   | 1.CSLSG50 / 100 / 150 / 200 / 250 / 300 /400 / 500 / 800 / 1000 Series  |
| Q<br>Single Acting,High Tonnage,Lock Nut Cylinders  | 1.CSLL50 / 100 / 150 / 200 / 250 / 300 /400 / 500Series   |
| R<br>Single Acting, Pancake Lock Nut Cylinders  | 1.CSLP602 / 1002 / 1602 / 2002 / 2502 / 4002 / 5002 Series  |

Drawing : M  
 Double-Acting,Base,Plunger inner threads,  
 Stop ring,Grooved saddle Cylinders

Cylinder : RSR15032 / RSR20018 / RSR20036 /  
 RSR20048 / RSR30012 / RSR30018 /  
 RSR30036 / RSR30048 / RSR40018 /  
 RSR40024 / RSR40048



M-Double-Acting,Base,Plunger inner threads,Stop ring,  
 Grooved saddle Cylinders(RSR-20048)

| Item | Description      | Q'ty | Part number   |
|------|------------------|------|---------------|
| 1    | cylinder         | 1    | SRR20048-B01  |
| 2    | plunger          | 1    | SRR20048-B02  |
| * 3  | back-up ring     | 2    | XGP125        |
| * 4  | o-ring           | 1    | XBP125-90-NOK |
| 5    | piston           | 1    | SRR20048-B03  |
| * 6  | back-up ring     | 4    | XGP175        |
| * 7  | o-ring           | 2    | XBP175-90-NOK |
| 8    | saddle           | 1    | XKSRR-200     |
| * 9  | wipers           | 1    | XDDSI132      |
| * 10 | back-up ring     | 2    | XGP135        |
| * 11 | o-ring           | 2    | XBP135-90-NOK |
| 12   | stop ring        | 1    | SRR20036-B06  |
| * 13 | back-up ring     | 1    | XGG180        |
| * 14 | o-ring           | 1    | XBG180-NOK    |
| * 15 | o-ring           | 1    | XBG180-90-NOK |
| * 16 | back-up ring     | 1    | XGG180        |
| * 17 | o-ring           | 1    | XBG195        |
| 18   | base             | 1    | SRR20024-B05  |
| 19   | fast coupler     | 2    | SQB-3/8UF     |
| 20   | Lifting eye bolt | 2    | XORM20A       |
| 21   | thread cover     | 1    | SRR20036-B04  |

\* Repair Kit.



Chu Lun sing Co., Ltd.