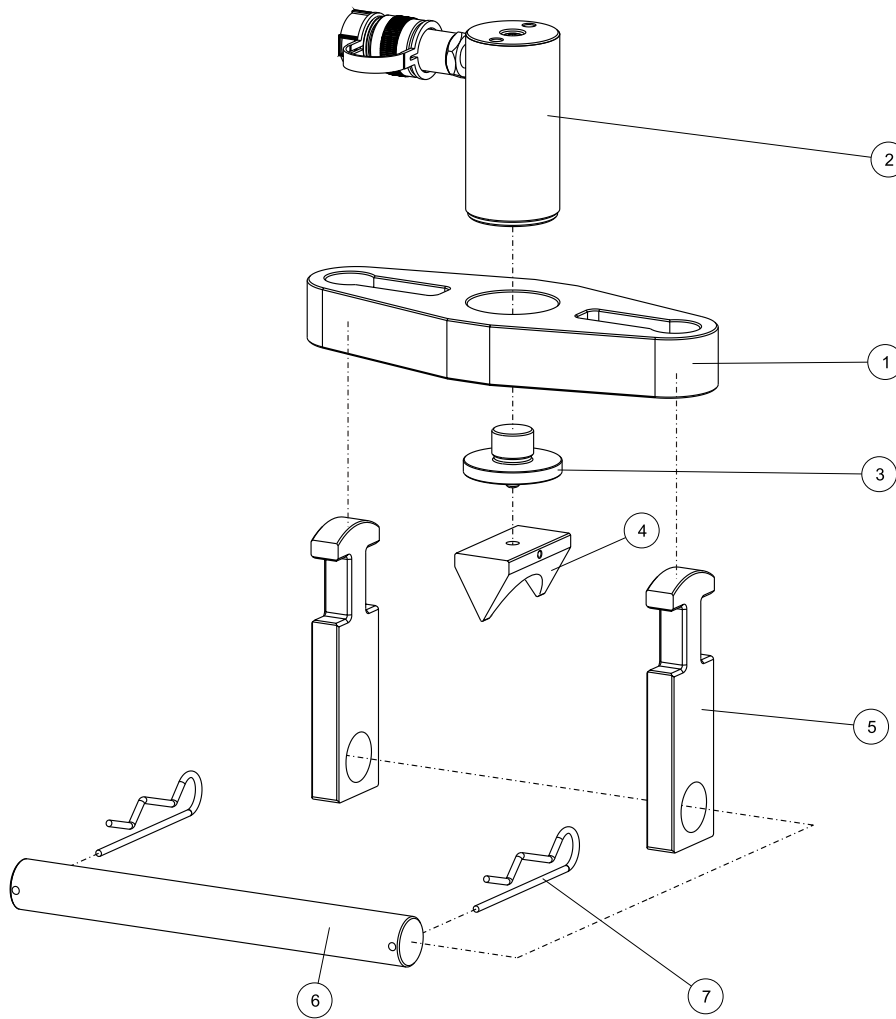


Item	Product	Q'ty	SFS-56	SFS-109
1	橫桿	1	SFS56-A01	SFS109-A01
2	油壓缸	1	RSC-53	RSC-102
3	連接塊	1	SFS56-A04	SFS109-A04
4	撐開楔	1	SFS56-A05	SFS109-A05
5	側板	2	SFS56-A02	SFS109-A02
6	支桿	1	SFS56-A03	SFS109-A03
7	R插銷	2	XAPN5-30	XAPN5-30



Item	Product	Q'ty	SFS-56	SFS-109
1	Crossbar	1	SFS56-A01	SFS109-A01
2	Cylinder	1	RSC-53	RSC-102
3	Adaptor	1	SFS56-A04	SFS109-A04
4	Wedge	1	SFS56-A05	SFS109-A05
5	Side Plate	2	SFS56-A02	SFS109-A02
6	Pin	1	SFS56-A03	SFS109-A03
7	Lockpin	2	XAPN5-30	XAPN5-30