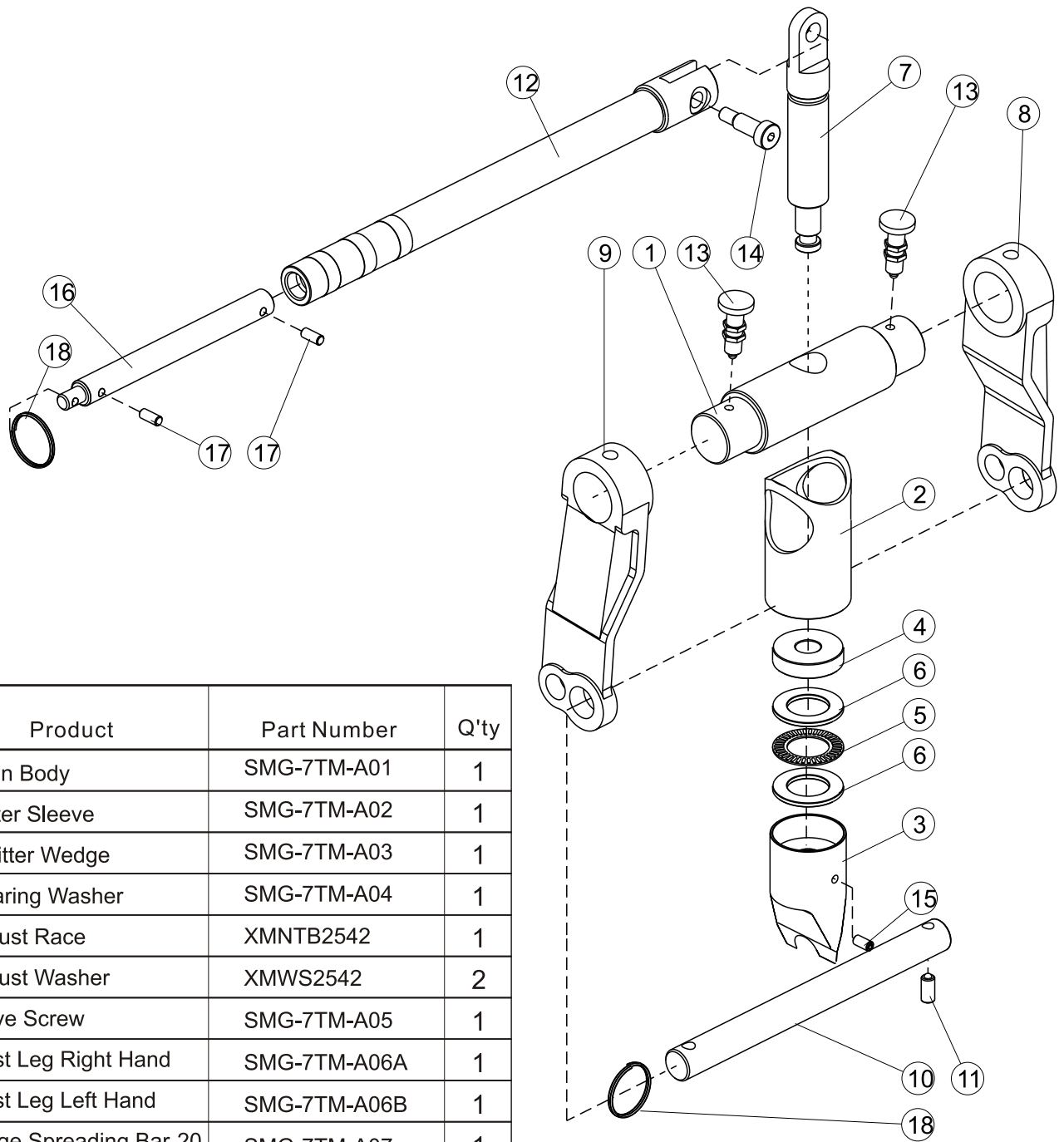


項次 Item	零件名稱 Product	品號 Part Number	數量 Q'ty
1	內牙柱	SSMG-7TM-A01	1
2	牙柱護套	SSMG-7TM-A02	1
3	前端壓塊	SSMG-7TM-A03	1
4	墊塊	SSMG-7TM-A04	1
5	針狀軸承	XMNTB2542	1
6	軸承墊片	XMWS2542	2
7	螺牙柱	SSMG-7TM-A05	1
8	側拉臂-右	SSMG-7TM-A06A	1
9	側拉臂-左	SSMG-7TM-A06B	1
10	定位銷-20	SSMG-7TM-A07	1
11	定位珠	XMSPM8-16	2
12	搖柄組	SSMG-7TM-AA2	1
13	定位珠	XM9010-5	2
14	等高螺栓	XNNSBM10-20-M8	1
15	SET螺栓	XNSETM06-12	1
16	定位銷-16	SSMG-7TM-A08	1
17	定位珠	XMSPM6-14	2
18	不鏽鋼拉環	XF1.5-D35-2-3T	2



Item	Product	Part Number	Q'ty
1	Main Body	SMG-7TM-A01	1
2	Outer Sleeve	SMG-7TM-A02	1
3	Splitter Wedge	SMG-7TM-A03	1
4	Bearing Washer	SMG-7TM-A04	1
5	Thrust Race	XMNTB2542	1
6	Thrust Washer	XMWS2542	2
7	Drive Screw	SMG-7TM-A05	1
8	Cast Leg Right Hand	SMG-7TM-A06A	1
9	Cast Leg Left Hand	SMG-7TM-A06B	1
10	Large Spreading Bar-20	SMG-7TM-A07	1
11	Spring Plungers	XMSPM8-16	2
12	Handle	SMG-7TM-AA2	1
13	Spring Plungers	XM9010-5	2
14	Stripper Bolt	XNNSBM10-20-M8	1
15	Set Bolt	XNSETM06-12	1
16	Small Spreading Bar-16	SMG-7TM-A08	1
17	Spring Plungers	XMSPM6-14	2
18	Split Ring	XF1.5-D35-2-3T	2