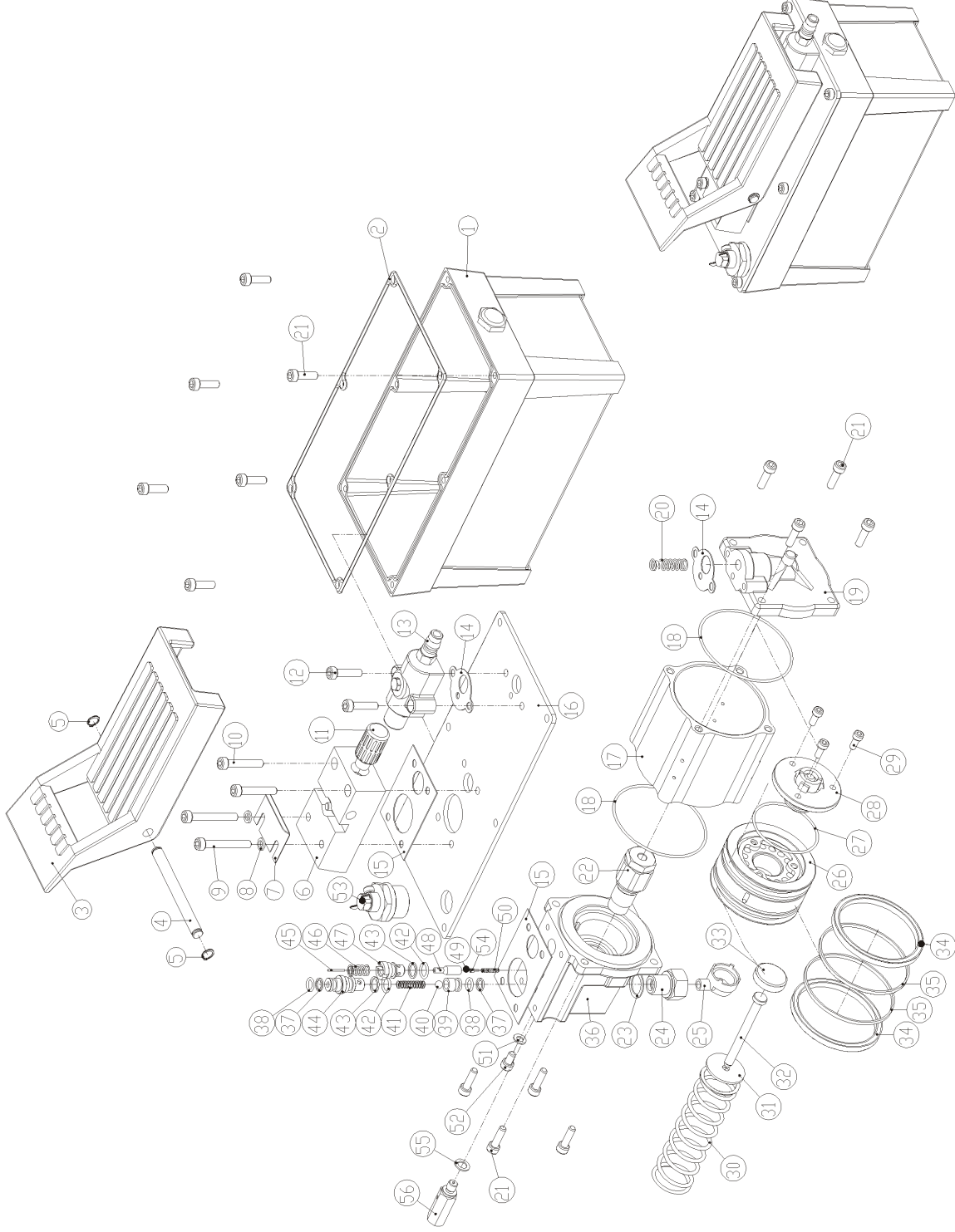


適用範圍：
液壓氣動踏式泵浦

適用型號系列:SPA-6



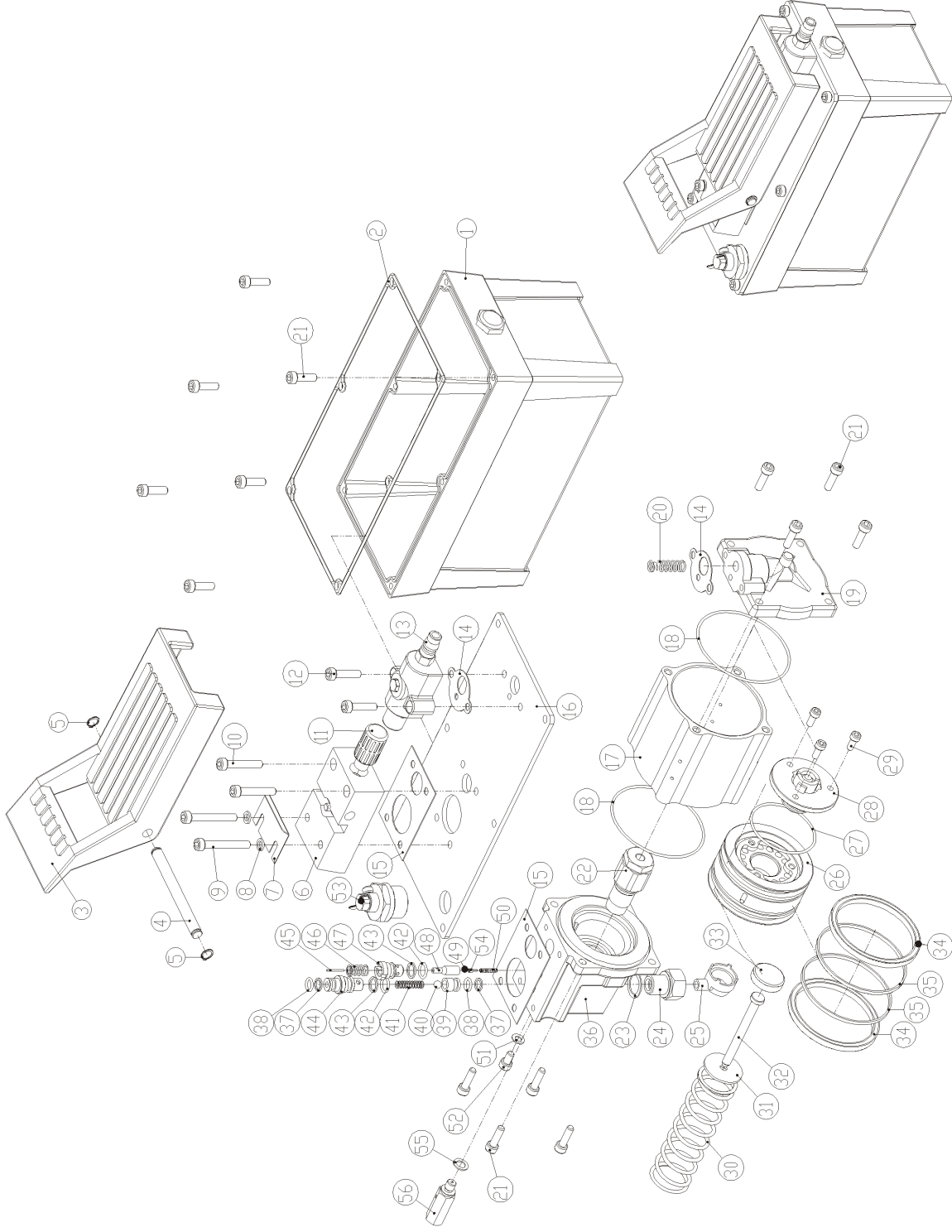
編號	零件名稱	數量	品號
1	油箱組	1	SPA6-A-A1
2	油箱環	1	SPA6-A27
3	腳踏板	1	SPA6-A07
4	腳踏板軸銷	1	SPA6-A23
5	C型扣環	2	XAS09
6	出油塊	1	SPA6-A13
7	擋片	1	SPA6-A31
8	平華司	2	XWM6
9	CAP螺絲	2	XNCAPM06-45
10	CAP螺絲	2	XNCAPM06-35
11	消音器	1	XLC-3/8"PT
12	CAP螺絲	2	XNCAPM06-25
13	入風開關組	1	SAP6-A-A2
14	入風開關紙墊	2	SPA6-A21
15	油塊墊	2	SPA6-A22
16	面板	1	SPA6-A35
17	汽缸	1	SPA6-A06
18	O型環	2	XB2080
19	上蓋	1	SPA6-A03
20	入風彈簧	1	XF1.2-D9.5-32L-7T
21	CAP螺絲	14	XNCAPM06-20
22	油泵軸組	1	SAP6-A-A3
23	銅華司	1	XW22-16-1.5
24	入油塊組	1	SAP6-A-A4
25	濾網	1	SPA6-A36
26	注塞	1	SPA6-A02
27	O型環	1	XB2055
28	三角座組	1	SPA6-A-A5
29	CAP螺絲	3	XNCAPM05-16
30	大彈簧	1	XF3-D35-115-9T=
31	鐵華司	1	SPA6-A25
32	油泵軸	1	SPA6-A08-D7
33	油封塊	1	SPA70-A30
34	油封	2	XEGLY80-70-5T
35	耐磨環	2	XGRTY3-1.5-245
36	本體	1	SPA6-A01
37	背托環	2	XGP008
38	O型環	2	XBP008
39	出口視	1	SPA6-A37
40	鋼珠	1	XM1/4"
41	出口彈簧	1	XF0.4-D6-24.5-11T
42	O型環	2	XBP010
43	背托環	2	XGP010
44	彈簧固定軸	1	SPA6-A11
45	洩壓彈簧	1	SPA6-C01
46	洩壓彈簧	1	XF1.2-D9.2-16.2-5T
47	洩壓塊	1	SPA6-A12
48	回油軸	1	SPA6-A15
49	鋼珠	1	XM1/8"
50	回油彈簧	1	XF0.6-D3.2-15.6-14T=
51	銅華司	1	XW11-6-1
52	CAP螺絲	1	CAPM06-5
53	通氣螺絲組	1	SPA6-A-A6
54	回油軸鋼珠視	1	SPA6-A41
55	華司	1	XWC13-8-1
56	高壓閥	1	SPA6-A38

* 修理包

Instructions for:
Foot operated Air Power Hydraulic Pump

Models: SPA-6

Item	Description	Qty	Part No.
1	oil tank	1	SPA6-A-A1
2	reservoir spacer	1	SPA6-A27
3	peddle	1	SPA6-A07
4	plug	1	SPA6-A23
5	C type ring	2	XAS09
6	outlet block	1	SPA6-A13
7	block	1	SPA6-A31
8	washer	2	XMM6
9	bolt	2	XNCAPM06-45
10	bolt	2	XNCAPM06-35
11	silencer	1	XLC-3/8"PT
12	bolt	2	XNCAPM06-25
13	switch gear	1	SAP6-A-A2
14	spacer	2	SPA6-A21
15	spacer	2	SPA6-A22
16	base plate	1	SPA6-A35
17	cylinder	1	SPA6-A06
18	O-ring	2	XB2080
19	up cover	1	SPA6-A03
20	spring	1	XF1.2-D9.5-32L-7T
21	bolt	14	XNCAPM06-20
22	pump assembly	1	SAP6-A-A3
23	cu washer	1	XW22-16-1.5
24	oil path block	1	SAP6-A-A4
25	filter net	1	SPA6-A36
26	piston	1	SPA6-A02
27	O-ring	1	XB2055
28	ratch assembly	1	SPA6-A-A5
29	bolt	3	XNCAPM05-16
30	spring	1	XF3-D35-115-9T =
31	washer	1	SPA6-A25
32	rod	1	SPA6-A08-D7
33	washer	1	SPA70-A30
34	seal	2	XEGLY80-70-5T
35	wear ring	2	XGRTY3-1.5-245
36	body	1	SPA6-A01
37	back-up ring	2	XGP008
38	O-ring	2	XBPF008
39	outlet bush	1	SPA6-A37
40	steel ball	1	XM1/4"
41	spring	1	XF0.4-D6-24.5-11T
42	O-ring	2	XBPF010
43	back-up ring	2	XGP010
44	outlet shaft	1	SPA6-A11
45	fixing plug	1	SPA6-C01
46	spring	1	XF1.2-D9.2-16.2-5T
47	pressure relief	1	SPA6-A12
48	return shaft	1	SPA6-A15
49	steel ball	1	XM1/8"
50	spring	1	XF0.6-D3.2-15.6-14T =
51	cu washer	1	XW11-6-1
52	bolt	1	CAPM06-5
53	vent assembly	1	SPA6-A-A6
54	ball pedestal	1	SPA6-A41
55	cu washer	1	XWC13-8-1
56	Relif valves	1	SPA6-A38



Part number marked with an asterisk (*) are contained in Repair Kit SPA-70F.