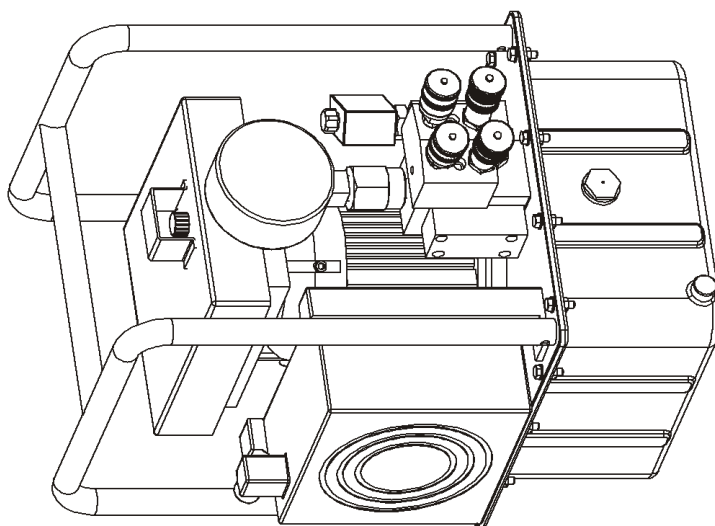
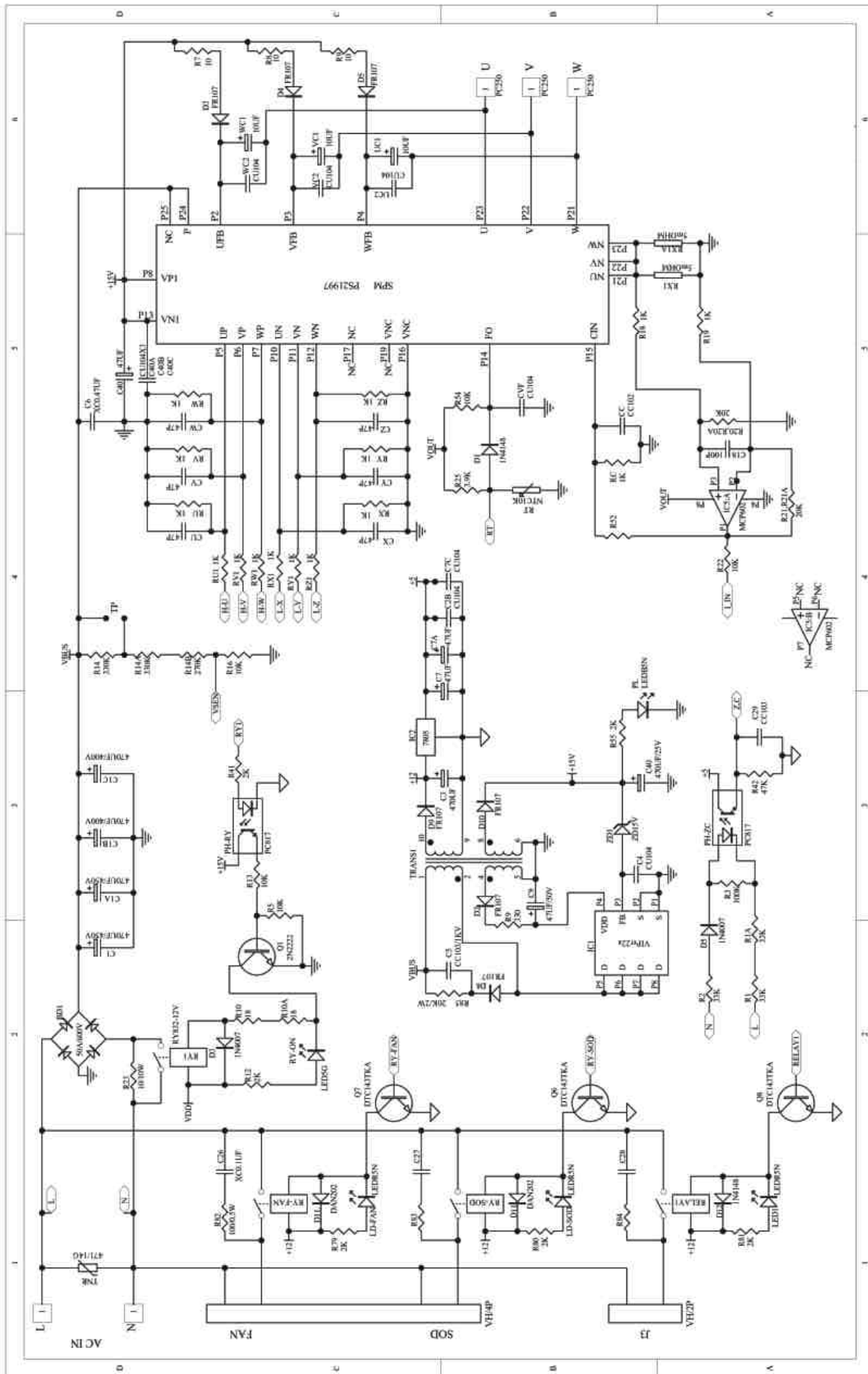
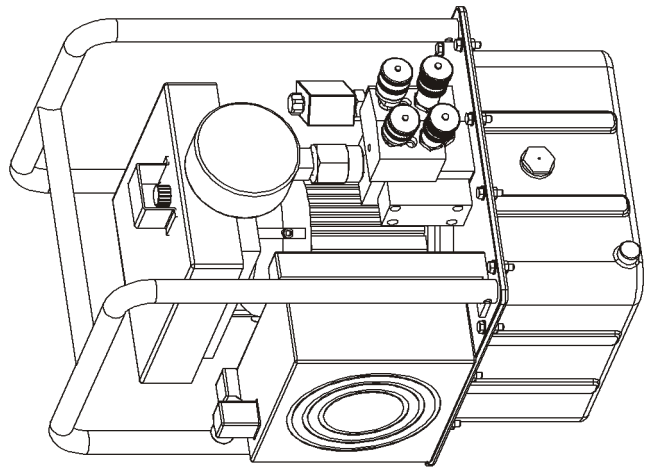
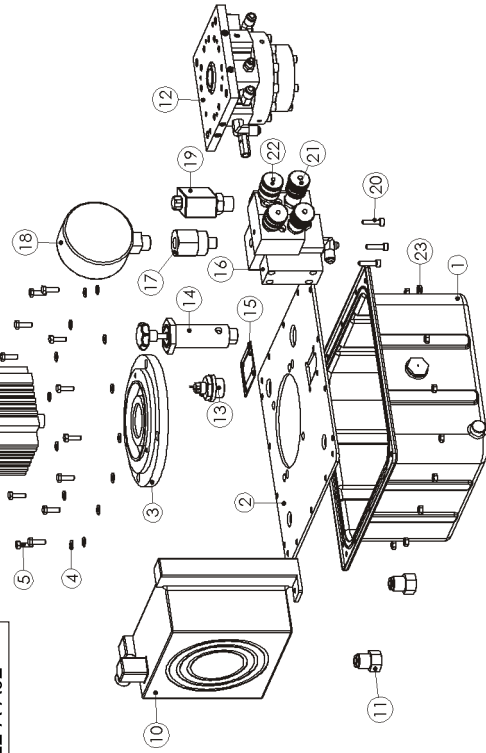
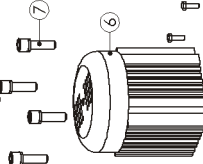
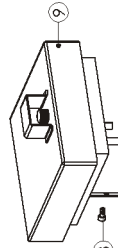
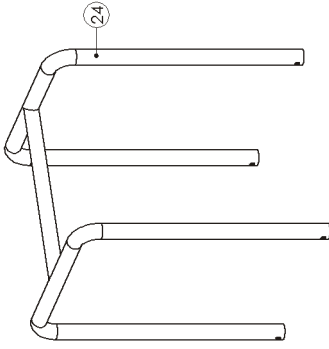


項次	品名	規格	需求
1	油箱組	SPEN-A02	1
2	油箱面板	SPEN-A01	1
3	馬達固定座	SPEN-D01	1
4	平華司	XWM06	14
5	外六角螺栓	XNHCM06-20	14
6	馬達本體	SPEN-M01	1
7	CAP螺栓	XNCAPM12-35	4
8	CAP螺栓	XNCAPM06-6	3
9	電源控制箱組	SPEN-B-B1	1
10	風扇組	SPE554-AE1	1
11	風扇固定座	SPE554-C15	2
12	泵浦本體組	SPEN-B-B2	1
13	通氣螺栓組	SPE2-A-E1	1
14	調壓閥組	SPE554-AD	1
15	油墊	SPEN-D07	1
16	切換閥座組	SPE2QJG-N-N1	1
17	油錶接頭	SPEN-B09	1
18	油錶	XHO4LM4G0.7E	1
19	電磁切換閥	EC04W-TYPE	1
20	CAP螺栓	XNCAPM06-25	3
21	快速接頭-公	SQB-1/4HF	2
22	快速接頭-母	SQB-1/4HM	2
23	螺帽	XOM06	14
24	油箱外框組	SPE2-A-A02	1





Item	Product	Qty	Par Number
1	tank	1	SPEN-A02
2	tank cover	1	SPEN-A01
3	Motor fixed	1	SPEN-D01
4	washer	14	XWM06
5	hex. Screws	14	XNHCM06-20
6	motor	1	SPEN-M01
7	CAP svrews	4	XNCAPM12-35
8	CAP svrews	3	XNCAPM06-6
9	power box	1	SPEN-B-B1
10	fan assembly	1	SPE554-AE1
11	fan fixed	2	SPE554-C15
12	Pump body	1	SPEN-B-B2
13	oil/ vent valve	1	SPE2-A-E1
14	press. Adjust assembly	1	SPE554-AD
15	seal	1	SPEN-D07
16	manifold	1	SPETQJG-N-N1
17	gauge accessory	1	SPEEN-B09
18	pressure gauge	1	XHO4LM4G0.7E
19	solenoid valve	1	E04W-TYPE
20	CAP svrews	3	XNCAPM06-25
21	male coupler	2	SQB-1/4HM
22	female coupler	2	SQB-1/4HF
23	nut	14	XOM06
24	frame	1	SPE2-A-A02



# Electric Circuit

