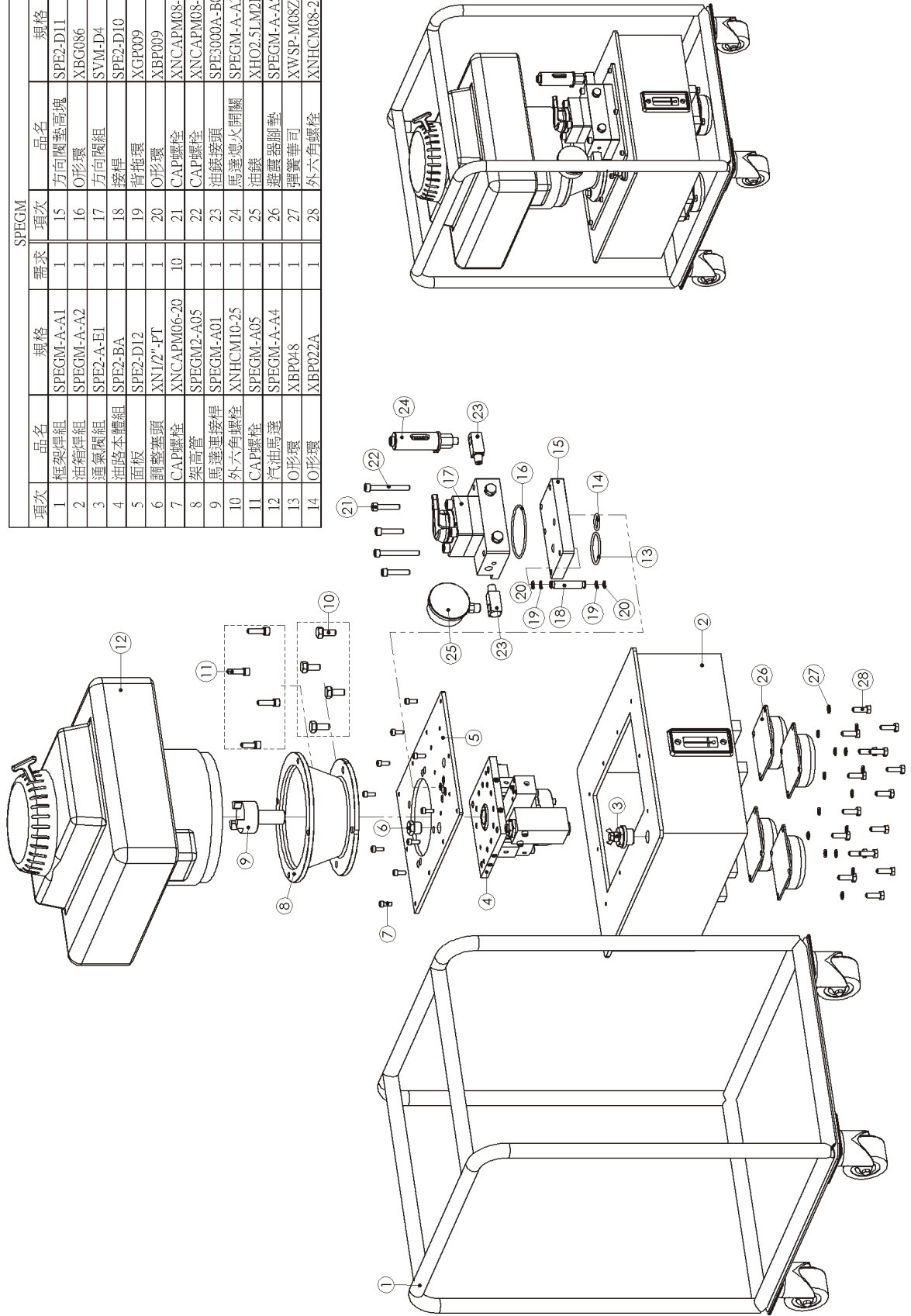


SPEGM							
項次	品名	規格	需求	項次	品名	規格	需求
1	框架焊組	SPEGM-A-A1	1	15	方向閥墊高塊	SPE2-D11	1
2	油箱焊組	SPEGM-A-A2	1	16	O形環	XBCG086	1
3	通氣閥組	SPE2-A-E1	1	17	方向閥組	SYM-D4	1
4	油路本體組	SPE2-BA	1	18	接桿	SPE2-D10	1
5	面板	SPE2-D12	1	19	背拖環	XGFP09	2
6	調整塞頭	XXN1/2"-PT	1	20	O形環	XBFP09	2
7	CAP螺栓	XNCAPM06-20	10	21	CAP螺栓	XNCAPM08-40	3
8	架高管	SPEGM2-A05	1	22	CAP螺栓	XNCAPM08-70	2
9	馬達連接桿	SPEGM-A01	1	23	油錶接頭	SPE3000A-B07A	2
10	外六角螺栓	XNHCM10-25	1	24	馬達熄火開關	SPEGM-A-A3	1
11	CAP螺栓	SPEGM-A05	1	25	油錶	XHO2.SLM2N1B	1
12	汽油馬達	SPEGM-A-A4	1	26	避震器腳墊	SPEGM-A-A5	4
13	O形環	XBFP48	1	27	彈簧華司	XWSP-M08Z	32
14	O形環	XBFP022A	1	28	外六角螺栓	XNHCM08-20	32



Item	Product	Part No.	Qty
1	frame assembly	SPEGM-A-A1	1
2	tank assembly	SPEGM-A-A2	1
3	vent valve	SPE2-A-E1	1
4	oil body	SPE2-BA	1
5	cover	SPE2-D12	1
6	adjust plug	XN1/2"-PT	1
7	cap bolt	XNCAPM06-20	10
8	mounting	SPEGM2-A05	1
9	motor connector	SPEGM-A01	1
10	hex. Drive bolt	XNHCM10-25	1
11	cap bolt	SPEGM-A05	1
12	gasoline motor	SPEGM-A-A4	1
13	O ring	XBP048	1
14	O ring	XBP022A	1
15	control valve block	SPE2-D11	1
16	O ring	XBG086	1
17	Control valve	SVM-D4	1
18	stick	SPE2-D10	1
19	back-up ring	XGP009	2
20	O ring	XBP009	2
21	cap bolt	XNCAPM08-40	3
22	cap bolt	XNCAPM08-70	2
23	gauge accessory	SPE3000A-B07A	2
24	motor switch	SPEGM-A-A3	1
25	gauge	XHO2.5LM2N1B	1
26	shock absorber pad	SPEGM-A-A5	4
27	spring washer	XWSP-M08Z	32
28	hex. Drive bolt	XNHCM08-20	32

