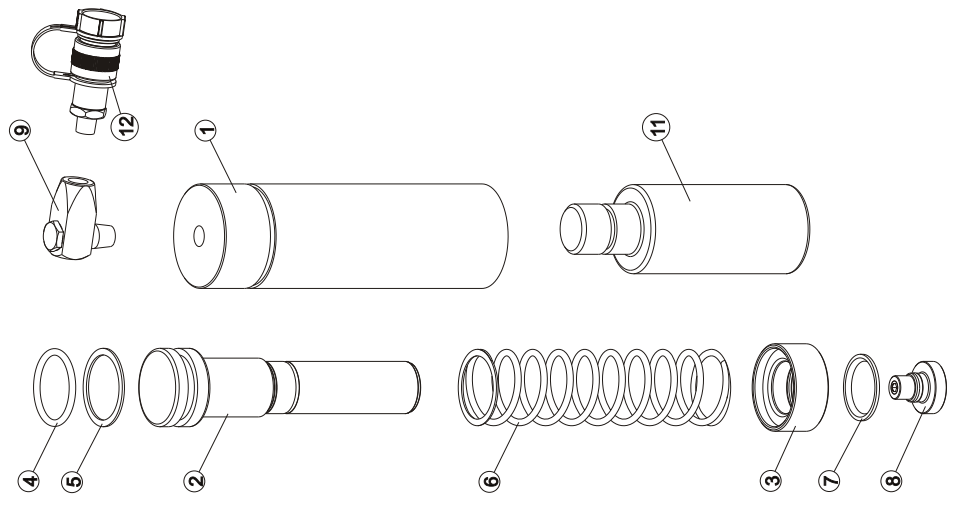
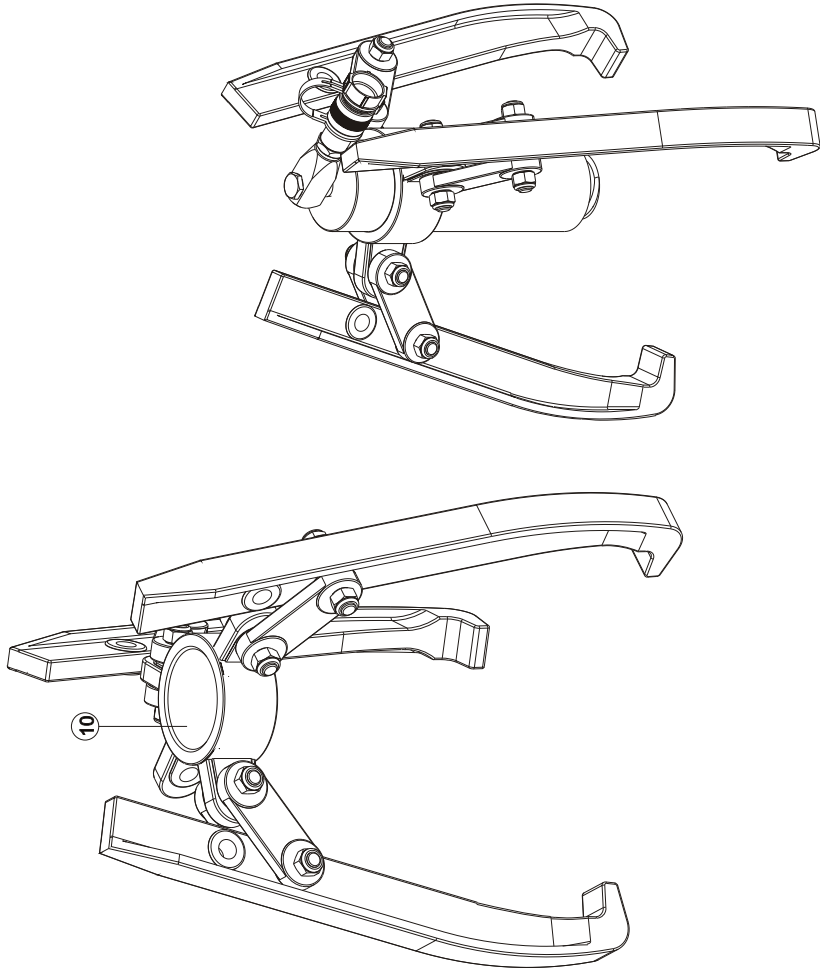


頂次	零件名稱	數量	規格	規格	規格	規格	規格
1	油缸	1	SPR6-B01	SPR8-B01	SPR12-B01	SPR20-B01	SPR30-B01
2	主軸	1	SPR6-B02	SPR8-B02	SPR12-B02	SPR20-B02	SPR30-B02
3	上螺帽	1	SPR6-B03	SPR8-B03	SPR12-B03	SPR20-B03	SPR30-B03
* 4	O形環	1	XBP026-NOK	XBP032-NOK	XBP036-NOK	XBP050A-NOK	XBP063-NOK
* 5	背托環	1	XGP026	XGP032	XGP036	XGP050A	XGP063
6	彈簧	1	XF3.2-D30.7-143L-10T=	XF3.2-D36.5-165L-11T=	XF3.5-D39-190L-11T=	XF5-D56.5-260L-10T=	XF5.5-D68-275L-10T=
7	防震環	1	XDDS23	XDDS25.4	XDDS28	XDDS41.4	XDDS50.8
8	頂座組	1	SPM6-A-A1	SPM8-A-A1	SPM12-A-A1	SPM20-A-A1	SPM30-A-A1
9	活動接頭組	1	SPR6-A-A3	SPR8-A-A3	SPR12-A-A3	SPR20-A-A3	SPR30-A-A3
10	爪部拉組	1	SPR6-A-A2	SPR8-A-A2	SPR12-A-A2	SPR20-A-A2	SPR30-A-A2
11	接塊	1	SPM6-B16	SPM8-B16	SPM12-B16	SPM20-B16	SPM30-B16
12	快速接頭	1	XBP012	XBP012	XBP012	XBP018	XBP018

* 代表為修理包



Item	Description	Qty	Part Number	SPR-600	SPR-800	SPR-1200	SPR-2000	SPR-3000
1	cylinder	1	SPR6-B01	SPR6-B01	SPR8-B01	SPR12-B01	SPR12-B01	SPR30-B01
2	plunger	1	SPR6-B02	SPR6-B02	SPR8-B02	SPR12-B02	SPR12-B02	SPR30-B02
3	stop ring	1	SPR6-B03	SPR6-B03	SPR8-B03	SPR12-B03	SPR12-B03	SPR30-B03
4	O-ring	1	XBP026-NOK	XBP032-NOK	XBP036-NOK	XBP036-NOK	XBP036-NOK	XBP063-NOK
5	back-up ring	1	XGP026	XGP032	XGP036	XGP036	XGP036	XGP063
6	spring	1	XF3.2-D30.7-143L-10T=	XF3.2-D36.5-165L-11T=	XF3.5-D39-190L-11T=	XF3.5-D39-190L-11T=	XF3.5-D39-190L-11T=	XF5.5-D68-275L-10T=
7	dust ring	1	XDDS23	XDDS25.4	XDDS28	XDDS28	XDDS28	XDDS50.8
8	up mount assembly	1	SPM6-A-1	SPM8-A-1	SPM12-A-1	SPM12-A-1	SPM12-A-1	SPM30-A-1
9	swivel port	1	SPR6-A-A3	SPR6-A-A3	SPR6-A-A3	SPR6-A-A3	SPR6-A-A3	SPR6-A-A3
10	jaw assembly	1	SPR6-A-A2	SPR8-A-A2	SPR12-A-A2	SPR12-A-A2	SPR12-A-A2	SPR30-A-A2
11	bushing	1	SPM6-B16	SPM8-B16	SPM12-B16	SPM12-B16	SPM12-B16	SPM30-B16
12	coupler	1	XBP012	XBP012	XBP012	XBP012	XBP012	XBP018

* Repair Kit