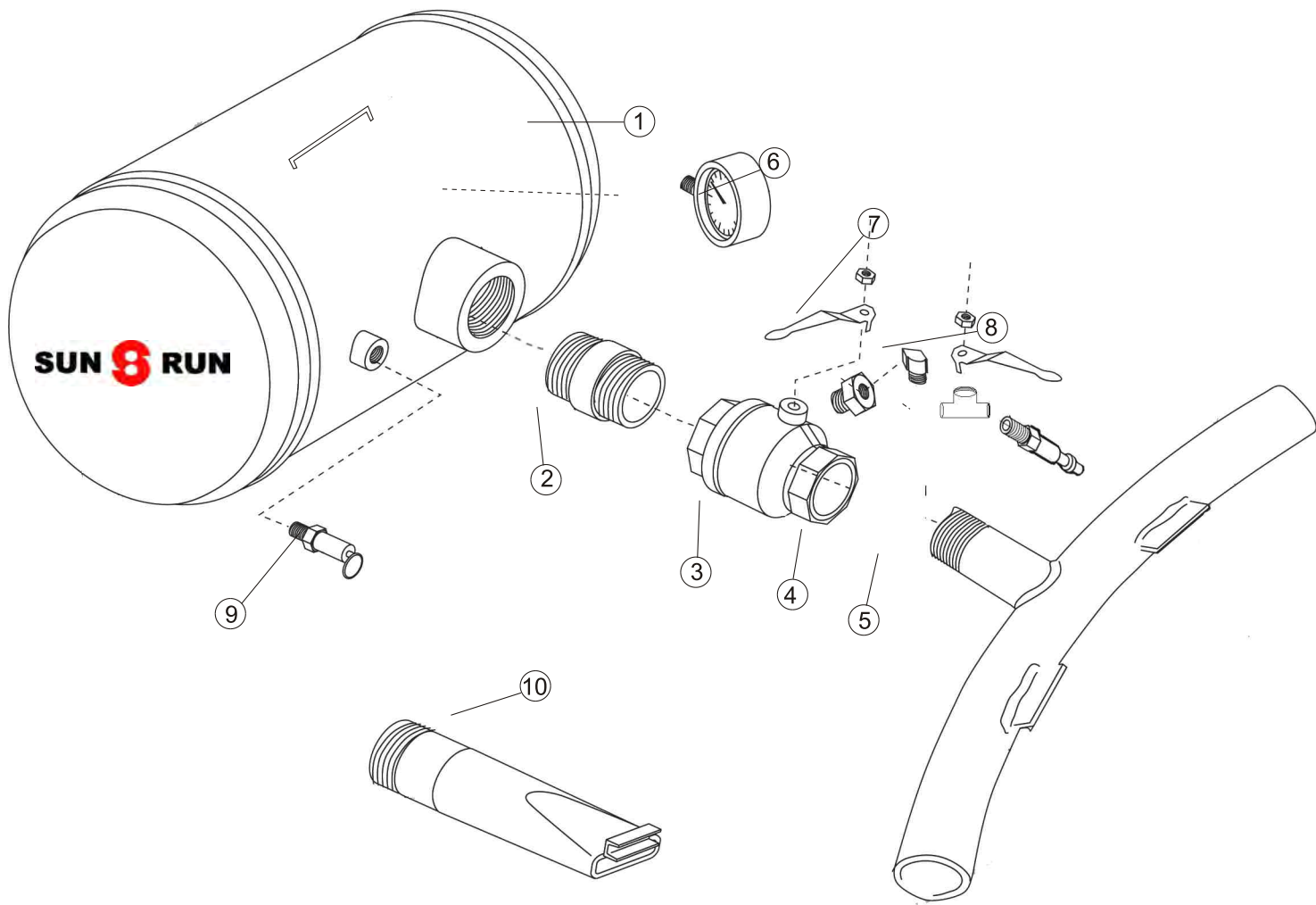


No .	Description	Qty.
1	風筒組	1
2	管立布	1
3	切換閥	1
4	鎖帽	1
5	2套筒	1
6	壓力表	1
7	把手 & 螺帽	1
8	耦合器控制手柄	1
9	洩壓閥	1
10	螺紋套管	1



No .	Description	Qty.
1	Air tank	1
2	Pipe Nipple	1
3	Discharge Valve	1
4	Lock Nut	1
5	Magnum 2 Barrel	1
6	Gauge	1
7	Handle & nut Only	1
8	Coupler control handle	1
9	Safety Release Valve	1
10	Threaded Barrel	1